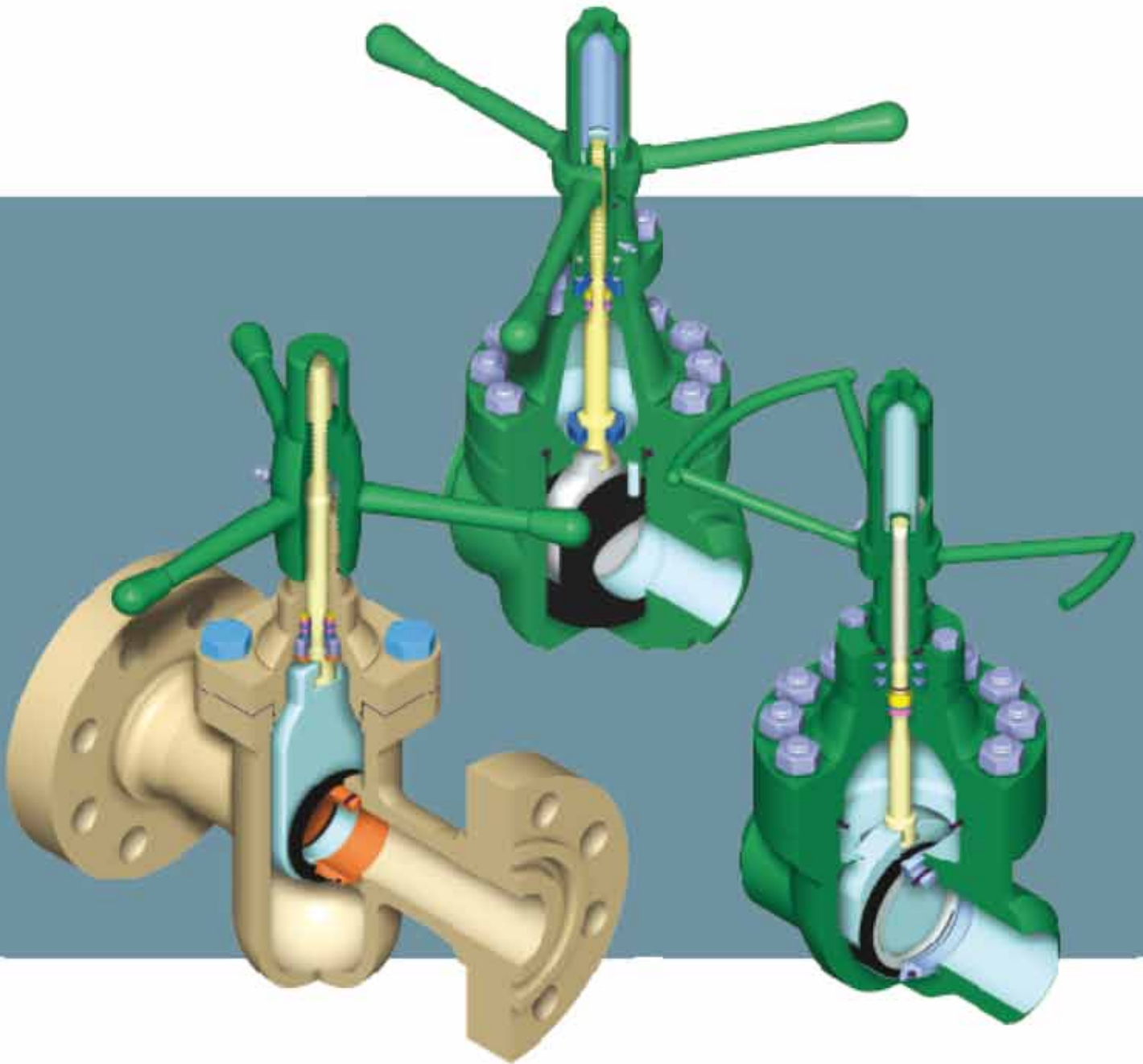


# DEMCO<sup>®</sup> Gate Valves





## TABLE OF CONTENTS

### FEATURES AND BENEFITS

Series DM Gate Valves .....	2
Series DM 7500 Gate Valves .....	3
Series DT & DB Gate Valves .....	4

### PRODUCT SPECIFICATIONS

General Technical Information .....	6
-------------------------------------	---

### DIMENSIONS AND MATERIALS PARTS LIST

Series DM 7500 Gate Valves 7500 psi WP .....	8
Series DM Gate Valves 1000, 2000, 3000 & 5000 psi WP .....	16
Series DM Gate Valves ASME Class 400 & 600 .....	30
ASME Class 900 & 1500 .....	34
Series DT Gate Valves ASME Class 600, 900 & 1500 .....	38
<b>TRADEMARK INFORMATION .....</b>	<b>48</b>

## SERIES DM GATE VALVES

**DEMCO Series DM Gate Valves, the premier designed Gate Valve in the oil and gas drilling market, specifically engineered for the rigorous requirements of oilfield applications.**

Designed for dependable, heavy duty performance in abrasive service conditions, DEMCO DM gate valves are commonly selected for a number of oilfield applications, including:

- Drilling standpipe manifold • Pump manifold block valves • High pressure mud mixing lines
- High pressure drilling system block valves • Wellheads • Well treating and frac service
- Production manifolds • Production gathering systems • Production flow lines

The DEMCO Series DM Gate Valves are available in ASME Classes 400, 600, 900 and 1500. Also available in API working pressures 2000, 3000 and 5000 psig. (Not API Monogrammed).

## FEATURES AND BENEFITS

### IN LINE FIELD REPAIRABILITY

The bonnet is easily removed for internal parts inspection and/or replacement without removing the valve from the line. This design simplicity permits fast and easy service without the need for special tools.

### FLEXIBLE TRIM OFFERINGS

Optional materials for stems, gates, seat inserts and seat elastomers make it easier to trim valves for a wide range of service conditions. Three internal plastic coatings for the body and bonnet are offered to improve resistance to wear and corrosion.

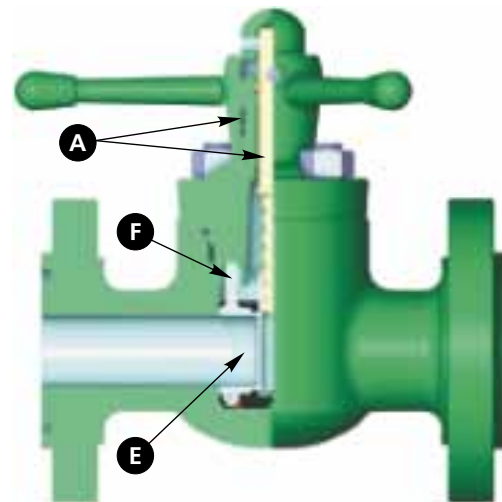
### DOUBLE ACTING THREAD DESIGN FOR FAST OPERATION

- A** The ASME series double acting thread design uses a threaded stem into the gate working with threads in the bonnet and handle assembly. Stems are polished and include a dependable O-ring and anti-extrusion seal. This unique design is economical and effective. Note: 4 inch (100 mm) ASME Class 1500 valve is a double acting, rising stem design, similar to the 4 inch (100 mm) 3000 psi valve.
- B** The DM 2000, 3000 and 5000 psig working pressure valves have double acting threads working together in a specially designed stem screw, screw housing and stem arrangement (except 4 inch (100 mm) and larger 5000 psi is a single thread, heavy duty rising stem design with bearings).
- C** The rising stem design protects the stem threads from the lading.
- D** Larger 3000 and 5000 psi DM Gate Valves include a sight lens to view the stem for determining gate position.

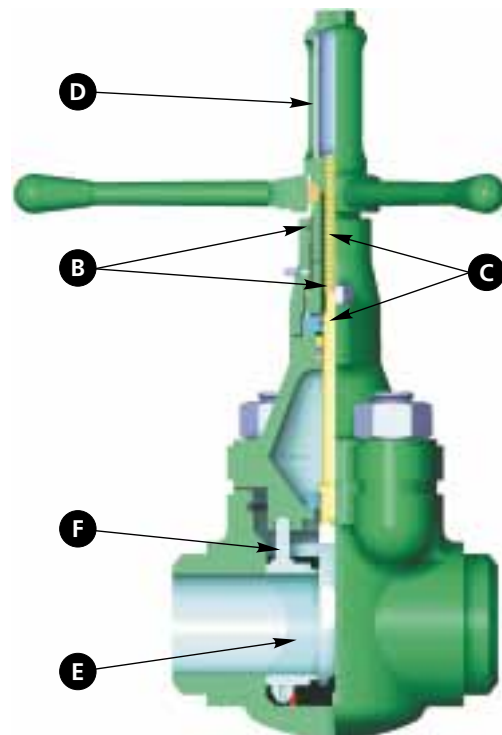
### EXCLUSIVE SEAT DESIGN FOR DROP TIGHT SEALING

The DEMCO Series DM Gate Valve seat uses a unique design to provide a drop-tight shut-off in abrasive and erosive service.

- E** The seat consists of two identical metal wear rings encapsulated in elastomer to form a cylindrical shape with a gate slot and two round ports. The closed gate bears on the downstream wear ring while the elastomer provides a drop tight pressure responsive seal around the port.
- F** The cylindrical seat assembly fits into the machined body cavity and is expanded outward towards the valve ports by the bonnet and spread ring in the bottom of the seat. The expansion occurs when the bonnet is tightened on to the body while engaging the seat pin extensions from both wear rings. The spread ring ensures the seat elastomer presses uniformly against the body bore. This design ensures a tight seat seal against the body and around each valve port and has proven to be effective even if the gate and seat ring become scored or abraded during service. When it comes time for maintenance, the seat's single piece design makes it easy to pull out of the body for replacement.



DM 3 in. (80 mm) ASME 900/1500



DM 4 in. (100 mm) 5000 WP (4 Bolt design shown)

## SERIES DM 7500 GATE VALVES FEATURES AND BENEFITS

### IN-LINE FIELD REPAIRABILITY

The bonnet is easily removed for internal parts inspection and/or replacement without removing the valve from the line. This design simplicity permits fast and easy service without the need for special tools.

### HEAVY DUTY ROLLER BEARINGS

Heavy duty stem roller bearings reduces torque on 4 inch (100 mm) and larger valves.

### FLOATING SLAB GATE DESIGN

A slab gate with "T" slot stem connection allows the gate to float to the seat providing a tighter pressure responsive seal.

#### A Unique, abrasion resistant, one-piece seat design.

The seat assembly consists of two stainless steel insert/support rings to which a resilient elastomer is permanently bonded. The elastomer provides tight shut-off after long use in abrasive service. The stainless steel rings are corrosion and erosion resistant. The one-piece design makes field replacement easier.

#### B Locking seat alignment

The seat assembly is engineered with a metal "lock shell" that aligns the seat in the bottom of the valve. This design ensures accurate seat alignment with minimum resistance to flow.

#### C Body wear rings

Surface hardened alloy body wear rings back up both sides of the seat. These rings extend the service life of the valve by absorbing erosive wear that can damage the body around the seat bore area.

#### D Rising stem design

The DEMCO DM 7500 Gate Valve uses a rising stem design which isolates and protects the threads from the line medium. The rising stem also indicates gate position.

#### E Visual position indicator lens

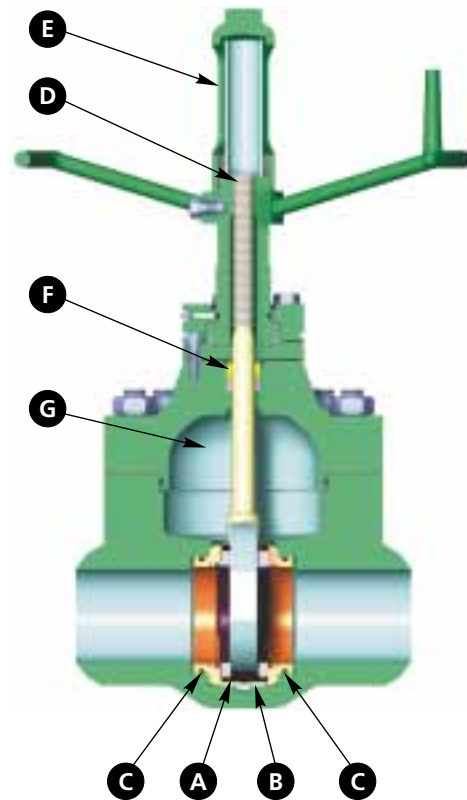
On 3 inch (80 mm) and larger valves a clear position indicator lens allows the operator to easily determine whether the valve is open or closed. The indicator lens also helps to protect the stem threads from the elements.

#### F Replaceable stem packing

The stem packing can be replaced without removing the bonnet from the valve (3 inch 80 mm - 6 inch 150 mm) saving time when this maintenance may be required (note: line and valve pressure must be relieved before performing this maintenance).

#### G Flow cleansed design

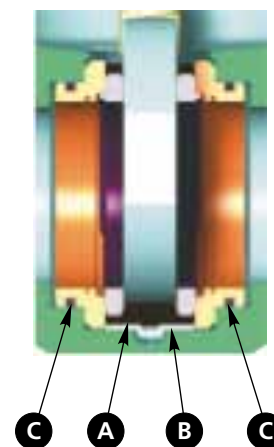
The body cavity area is designed to allow continuous "flushing" by the fluid flow. This action prevents the valve from "sanding up", even in standpipe installations.



### DM SERIES PRESSURE CLASSES AND SIZES

SIZE	in.	(mm)	400	600	900	1500	1000	2000	3000	5000	7500*
FP	1 1/2	(40)	•	•							
	2	(50)	•	•	•	•		•	•	•	•
	2 1/2	(65)	•	•	•	•		•	•		
	3	(80)	•	•	•	•		•	•	•	•
	4	(100)	•	•	•	•		•	•	•	•
	5	(125)					•		•	•	•
RP	6	(150)	•	•	•						
	2 x 1 1/2	(50 x 40)		•							
	2 1/2 x 2	(65 x 50)						•	•	•	
	3 x 2	(80 x 50)	•	•							
	4 x 3	(100 x 80)							•	•	•
	5 x 4	(125 x 100)							•	•	•
	6 x 4	(150 x 100)								•	
	6 x 5	(150 x 125)								•	•
8 x 6	(200 x 150)		•								

\* Other Weld Connections are Available. Consult Factory for Information.

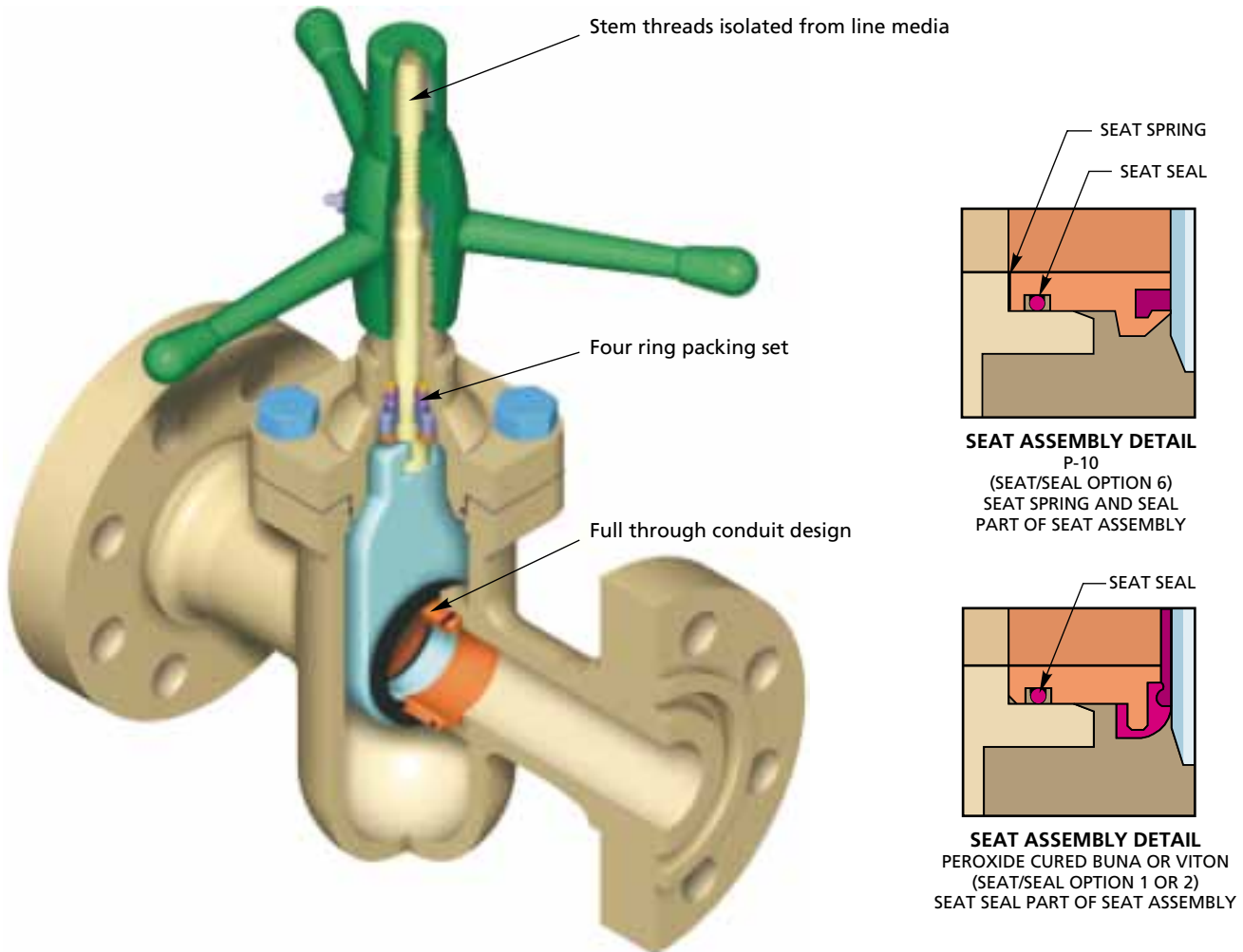


## SERIES DT/DB GATE VALVES

DEMCO Series DT/DB Gate Valves are recognized for their quality design, rugged dependability and corrosion resistance, particularly for use in waterflood and CO<sub>2</sub> applications.

DEMCO Aluminum Bronze and Stainless Steel Valves and Accessories are designed especially for the demanding requirements of corrosive CO<sub>2</sub> injection and waterflood applications in the enhanced oil recovery market.

- The handle moves up and down on the bonnet or the top of the stem is visible during operation providing visible aid to determine whether the valve is open or closed.



### DT AND DB SERIES PRESSURE CLASSES AND SIZES

#### DT SERIES THREADED AND FLANGED

SIZE	in.	(mm)	ASME	600	900	1500
FP	2	(50)		•	•	•
	2 1/2	(65)		•	•	•
	3	(80)		•	•	•
	4	(100)	(Flanged Only)	•	•	•
	6	(150)	(Flanged Only)		•	

#### DB SERIES VALVES (Consult Factory for Drawings)

FP	6	(150)		•	•	•
RP	6 x 4	(150 x 100)		•	•	•
	8 x 6	(200 x 150)		•	•	

SEE PAGES 38 THROUGH 45 FOR MATERIAL SPECIFICATIONS

#### Optional Materials:

##### DT Series:

- SS Body and Bonnet, Viton or P-10 Seats

##### DB Series:

- Viton Seat Elastomer
- Peroxide Cured Buna-N

## SERIES DT/DB GATE VALVES FEATURES AND BENEFITS

### IN-LINE FIELD REPAIRABILITY

The bonnet is easily removed for internal parts inspection and/or replacement without removing the valve from the line. This design simplicity permits fast and easy service without the need for special tools.

### CORROSION RESISTANT MATERIALS ARE STANDARD

Body and bonnet materials as well as all internal wetted parts comply with NACE RP-0475.

### RISING STEM DESIGN

The handle moves up and down on the bonnet or the top of the stem is visible during operation providing visible aid to determine whether the valve is open or closed.

- A Pressure responsive drop-tight sealing**  
 Standard seats consist of 316 SS seat rings encapsulated with 90 Durometer, peroxide cured Buna-N elastomer to provide reliable, drop-tight sealing for extended service life.
- B Superior abrasion resistance**  
 Buna-N elastomer encapsulated seats also provide an excellent deterrent to abrasion, further enhancing extended service life.
- C Four ring stem packing set**  
 The DEMCO DT stem seal design uses four packing rings preventing leakage into the stem journal and outside the valve.
- D Through conduit gate design**  
 Full through conduit design assures non turbulent flow and gate alignment for improved valve performance and longer service life.
- E Non wetted stem thread design**  
 DEMCO's stem design isolates corrosive lading from contacting stem threads preventing stem seizure and assuring long trouble free valve performance.

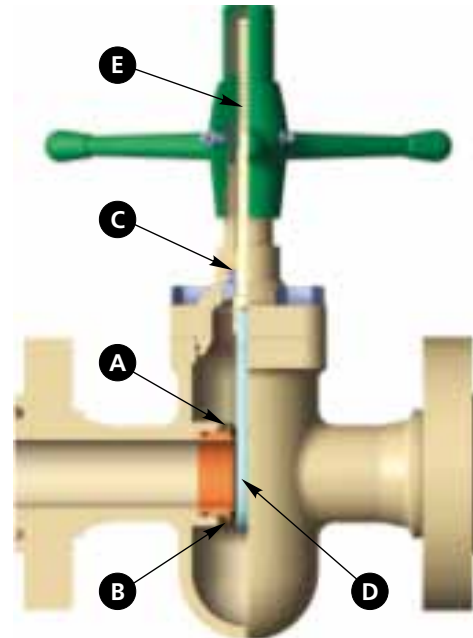
### ACCESSORIES

Ball check valves, flow tees and strainers are available to complete requirements for an entire injection assembly.

- F Ball Check Valves**
- G Flow Tees**
- H Strainers**

### SERIES DB GATE VALVE

The DEMCO Series DB Gate Valve is available for the large 6 in. (150 mm) and 8 in. (200 mm) pipe sizes in the enhanced oil recovery market. These valves also feature aluminum bronze body and bonnet as standard. Internal parts are 316 SS. The exclusive seat design of the DEMCO Series DB Gate Valve is the same proven design found in the DEMCO Series DM Gate Valves. The seat consists of two identical metal wear rings encapsulated in elastomer to form a cylindrical shape with a gate slot and two round ports. The closed gate bears down on the downstream wear ring while the elastomer provides a drop-tight, pressure responsive seal around the port. This design provides an effective seal even if the gate and seat ring become scored or abraded during service. The DEMCO Series DB Gate Valve is also field repairable while the valve is in line.



SERIES DT GATE VALVES



BALL CHECK VALVES



FLOW TEES



STRAINERS

## SERIES DM, DT & DB GATE VALVES GENERAL TECHNICAL INFORMATION

### Valve Size Designations and Weld End Dimensional Information

- All references to pipe size in this catalog is the nominal size.  
 The actual OD and ID for various nominal sizes and schedules is tabulated below.  
 Weld End bodies are machined at each end to match the pipe OD and ID.

NOMINAL SIZE	in.	(mm)	OD	ID			
				Sch. 40	Sch. 80	Sch. 160	XXH
1 1/2		(40)	1.900	1.610	1.500	-	-
2		(50)	2.375	2.067	1.939	1.687	1.503
2 1/2		(65)	2.875	2.469	2.323	2.125	1.771
3		(80)	3.500	3.068	2.900	2.624	2.300
4		(100)	4.500	4.026	3.826	3.438	3.152
5		(125)	5.563	-	4.813	4.313	4.063
6		(150)	6.625	6.065	5.761	5.187	4.897

- Reduced port valve size descriptions are designated by two numbers.  
 The first number is the nominal size of the end connection.  
 The second number is the ID of the valve seat (dimension "C" in the tables).

### PRESSURE RATINGS

DEMCO Gate Valves are designed for the maximum working pressures and test pressures tabulated below.

#### PRESSURE RATINGS

CLASS 400	CLASS 600	CLASS 900	CLASS 1500	1000 WP	2000 WP	3000 WP	5000 WP	7500 WP
990 WP	1480 WP	2220 WP	3705 WP	1000 WP	2000 WP	3000 WP	5000 WP	7500 WP
1500 Test	2225 Test	3350 Test	5575 Test	2000 Test	4000 Test	6000 Test	7500 Test	11,250 Test

Gate valve rating must be selected to match the piping system in which the valve will be installed.  
 Tabulated below are working pressures at 100o F for ASTM A106 Grade B and AISI 4130 60K minimum yield pipe  
 in sizes corresponding to DEMCO Gate Valves.

#### PRESSURE RATINGS

SIZE	in.	(mm)	ASTM A106 GRADE B				4130 60K MIN. YIELD	
			Sch. 40	Sch. 80	Sch. 160	XXH	XXH	
1 1/2		(40)	1340	2430	-	-	-	
2		(50)	1210	2220	4300	5970	10234	
2 1/2		(65)	1620	2590	3950	6590	-	
3		(80)	1460	2370	3930	5880	10080	
4		(100)	1300	2130	3830	5150	8826	
5		(125)	-	1970	3730	4650	7971	
6		(150)	1110	1970	3650	4724	8098	
8		(200)	1030	1790	-	-	-	



## SERIES DM, DT & DB GATE VALVES GENERAL TECHNICAL INFORMATION

### SPECIAL ORDER ACCESSORIES

- **Square Operating Nuts**  
Offered to replace handles, for wrench operation.  
Nuts are sized for 2 inch (50.8 mm) square sockets.  
Locking devices for tamper proof valve settings of standard handles are also available.
- **Special Stem Extensions**  
Available on all gate valves, for buried service.  
Extended stems are housed from the valve bonnet to the handle; operation of the valve is identical to normal assembly.
- **Actuators**  
Automated or remote controlled applications may be furnished on special order.  
Prices for pneumatic or hydraulic actuators can be provided on request.

### TESTING

- DEMCO Gate Valves are hydrostatically tested at assembly.  
Stem seal, body and seat are inspected for zero leakage under pressure, before acceptance.

### SEAT SEAL OPTIONS

- **Buna-N (nitrile)**  
Is excellent for petroleum oil and gases, fuel oils and alcohols from -10°F to +200°F. (-23°C to +93°C).
- **Hypalon**  
Compounded for maximum chemical resistance.  
Particularly suited for oxidizing acids, it resists hydrocarbon oils and fuels from -10°F to +250°F. (-23°C to +121°C).
- **Viton**  
Highly resistant to mineral acids and hydrocarbons and resists moderate concentrations of hydrogen sulfide.  
Serviceable from -10°F to +400°F. (-23°C to +204°C). (Not suitable for steam).
- **HNBR**  
Formulated for use with synthetic and oil base drilling mud service from -20°F to +250°F (-29°C to +121°C).

### PLASTIC COATINGS - DM GATE VALVES ONLY

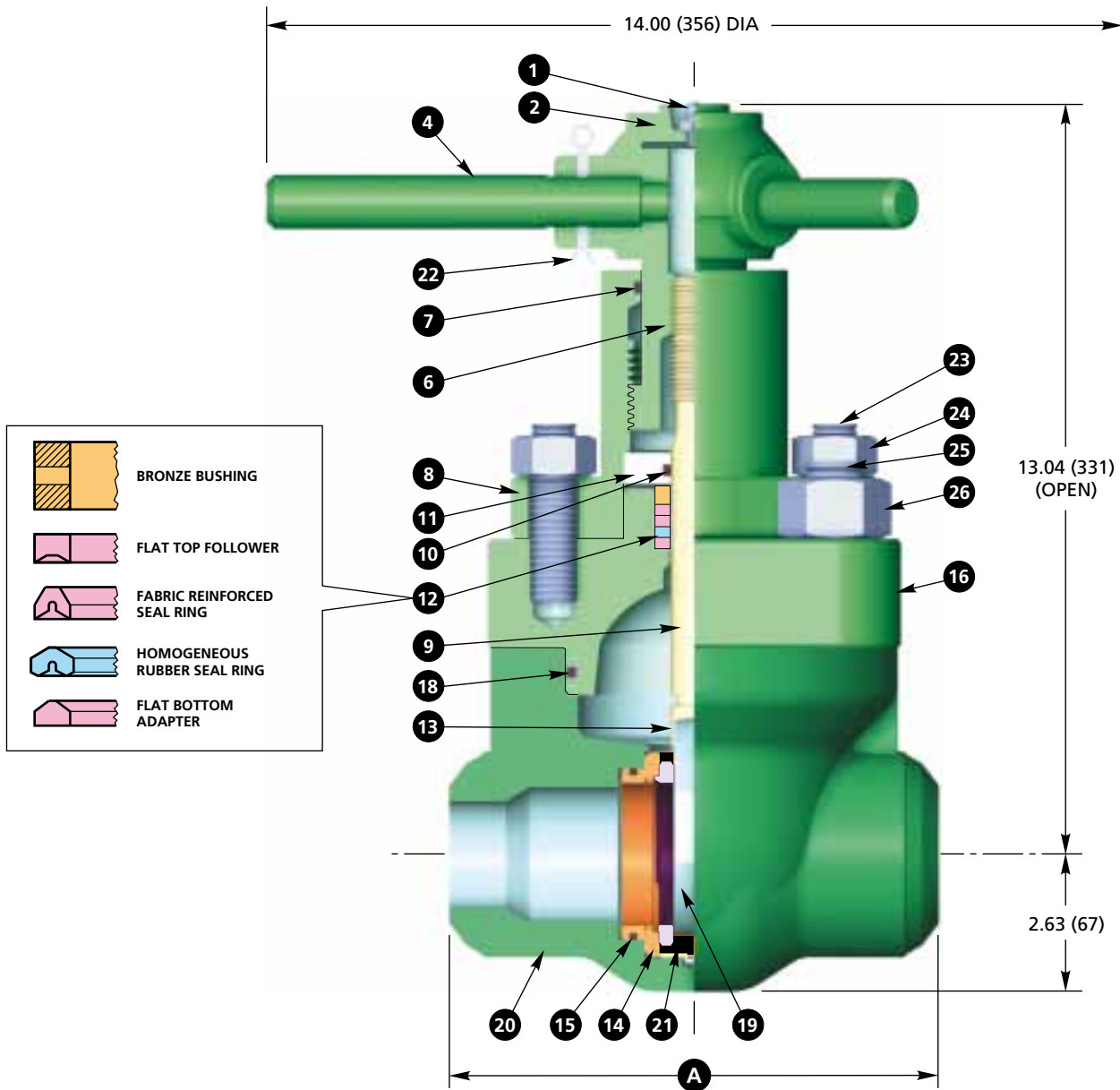
**Internally plastic coated body and bonnet are offered with three coatings.  
All coatings are applied 5 to 6 mil thickness.**

- **DEMCO 10**  
A catalyst cured epoxy with excellent adhesion and resistance to wear, chipping and abrasion.  
Unaffected by most acids, alkalis, brines and petroleum products up to +150°F. (+66°C).
- **DEMCO 11**  
A baked on phenolic serviceable to +200°F. (+93°C) and resistant to organic and mineral acids, hydrocarbons and corrodents encountered in oil and gas production.  
(Not recommended for caustics).
- **DEMCO 12**  
A baked on phenolic epoxy, tougher and more abrasion resistant.  
Excellent for service in caustics and salt water up to +200°F. (+93°C).

### ORDERING INFORMATION

- Give size, pressure class and end connection.
- Specify pressure class of flanged ends, raised face (RF) or ring type joint (RTJ).
- For threaded ends, provide type of pipe:  
TBG (non upset tubing)  
UPTBG (external upset tubing)  
LCSG (long casing thread).  
CSG (Short casing thread).
- For weld ends, give schedule of mating pipe.
- For applications in high pressure gas above 3000 psi or involving concentrations of H<sub>2</sub>S or CO<sub>2</sub> consult factory for recommendations.

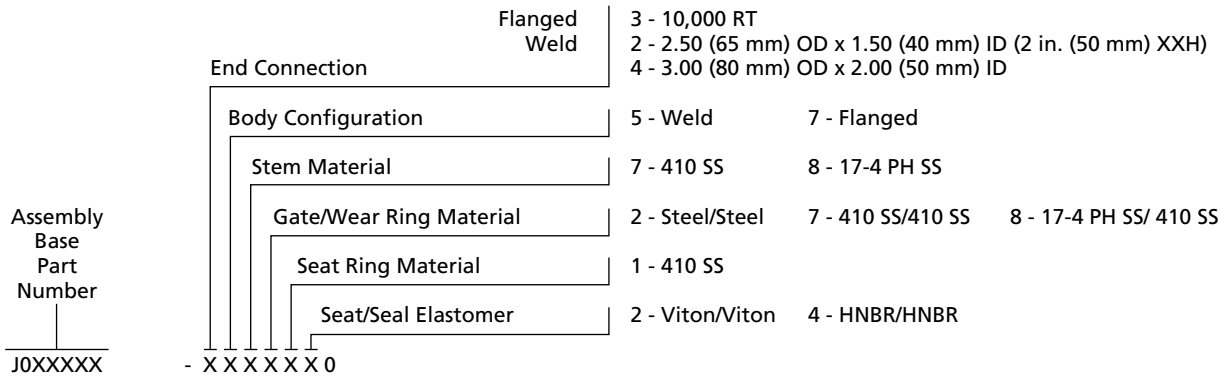
## SERIES DM GATE VALVES - 7500 psi WP 2 in. (50 mm) FULL PORT FOR GENERAL SERVICE CONDITIONS



### DIMENSIONAL DATA & WEIGHTS

DIMENSION	VALVE SIZE	2 in. (50 mm) FP 7500 WP
A Weld End		9.00 (229)
Flanged End, API Length		20.50 (521)
<b>VALVE SEAT ID</b>		2.00 (51)
<b>FOR FLANGED ENDS</b>		
API Ring Number		BX-152
Flange ID		2.06 (52)
Flange OD		7.88 (200)
Flange Bolts (QTY. - SIZE in.)		8 - 3/4
<b>NUMBER OF HANDLE TURNS FROM OPEN TO CLOSED</b>		8.60
<b>WEIGHT lb. (kg)</b>		
Weld End		76 (34)
Flanged End		124 (56)

## SERIES DM GATE VALVES ASSEMBLY PART NUMBER



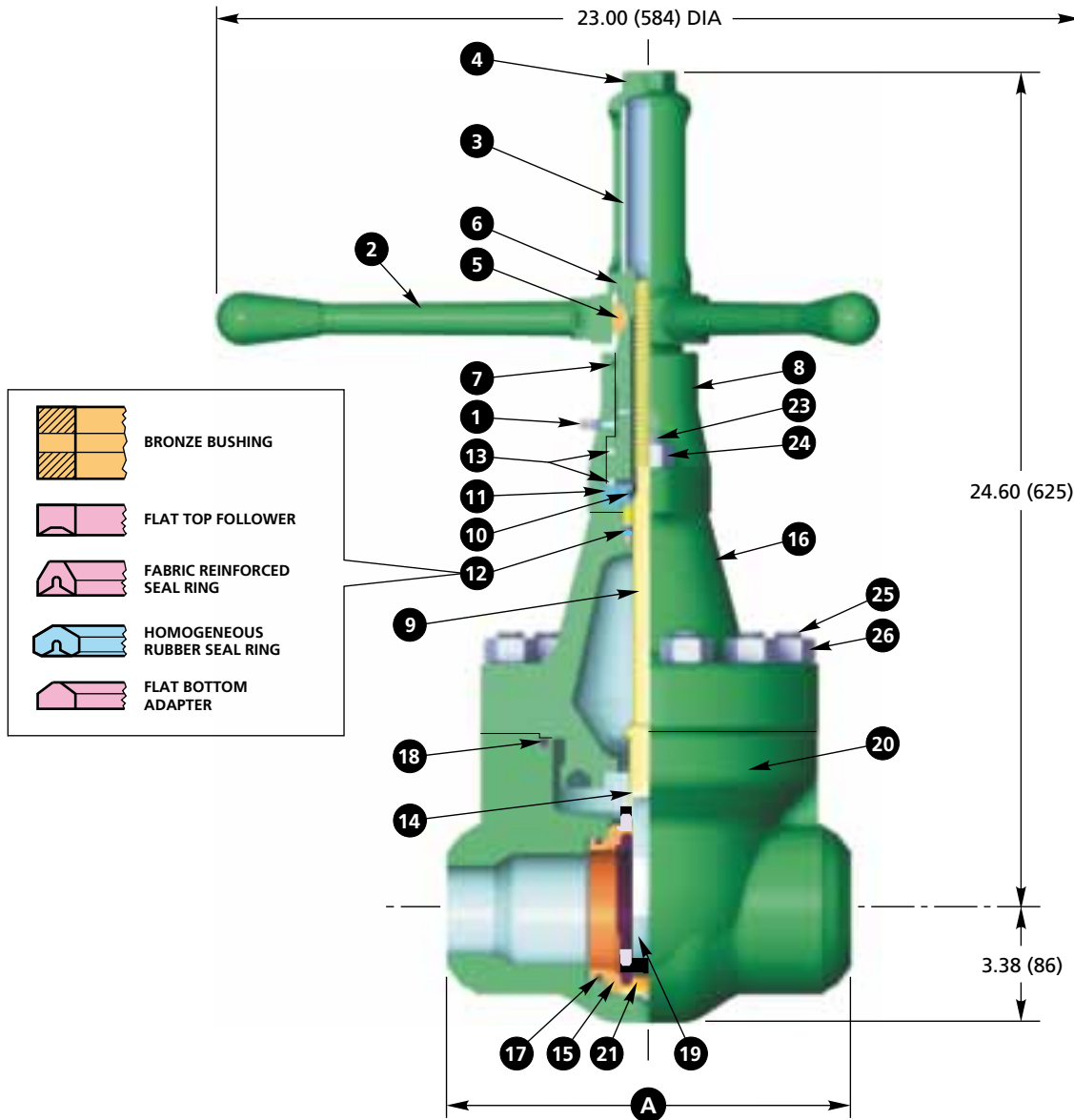
- Group 1 Basic valve. Designed in accordance with the methods in API 6A, 17th Edition, par 4.3.3. Hydrostatic shell test: 11,250 psi for 3 minutes. Hydrosatic seat test: 7500 psi for 3 minutes, each side. Material traceability on body and bonnet.
- Group 2 Same as Group 1 except: Hydrostatic shell test: 11,250 psi for 3 minutes, drop to 0 psi, 11,250 psi for 15 minutes. Test is charted. Hydrostatic seat test: 7500 psi for 3 minutes, drop to 0 psi, 7500 for 15 minutes, drop to 0 psi, 300 psi for 5 minutes, each side. Test is charted. Material traceability on body, bonnet, stem, gate and bolting. Impact tests at or below -50°F (-46°C) on body, bonnet, stem, housing (2 in. (50 mm) & 3 in. (80 mm)), packing retainer (4 in. (100 mm) & 5 in. (127 mm)) and bolting. Surface NDE on body, bonnet and stem.
- Group 3 Same as Group 2 plus volumetric NDE on body and bonnet.

### PARTS LIST

Key No.	Qty.	DESCRIPTION	VALVE SIZE GROUP NUMBER	GROUP 1	2 in. (50 mm) FP GROUP 2	GROUP 3
		Assembly Base Number	Weld End	J024993	J025077	J025078
			Flanged End, API Length	J025130	-	J025131
1	1	Lube Fitting	Steel		J005195	
2	1	Handle	Ductile Iron ASTM A536 Grade 65-45-12		2139712-01	
4	1	Lock Handle	AISI C-1213		J001891	
!	6	Stem Screw	AISI C-1213		J001913	
!	7	Housing Seal	Buna-N		J005526-224	
8	1	Screw Housing	ASTM A350 Grade LF2 Class 1		J024982	
!	9	Stem	410 SS 17-4 PH SS		J024983-107	
!	10	Secondary Seal	HNBR Viton		2712425-13 J005531-210	
11	1	Packing Retainer	AISI C-1213 17-4 PH SS	J001940	-	J021432
!	12	Stem Seal Assembly (With Bronze Bushing - ASTM B505 Alloy 93200)	HNBR Viton		J023231-008 J023231-006	
!#	13	Gate Clip	AISI 302 SS		M450480	
!#	14	Body Wear Ring	For Steel Gate, AISI 4140 w/QPQ Nitride Coating For SS Gate, AISI 410 Stainless Steel		M452267 2139647-02	
!#	15	Wear Ring Seal	HNBR Viton		2712425-03 J005521-229	
16	1	Bonnet	ASTM A487 Grade 4 Class D	J024985-030	2140428-01	2140341-01
!#	18	Bonnet Seal	HNBR Viton		2712425-60 J005521-342	
!#	19	Gate	Steel AISI 4140 w/QPQ Nitride Coating 410 SS 17-4 PH SS		2171111-01 2139624-02	
20	1	Body Materials:	Weld End - ASTM A487 Grade 4 Class D Flanged End - Fabricated From Weld End Body & AISI 4130 Flanges		Consult Factory For Body Part Numbers	
!#	21	Seat	410 SS/HNBR 410 SS/Viton		2139742-01 Rings: AISI 410 SS, Elastomer: HNBR Rings: AISI 410 SS, Elastomer: Viton	
22	1	Cotter Pin	Steel		J005420-18728	
23	2	Housing Stud		J002066		J021436
			Material	ASTM A193 Grade B7		ASTM A193 Grade L7
24	2	Housing Stud Nut		2709000-08-01		J053252-034
			Material	ASTM A194 Grade 2H		ASTM A194 Grade 7
25	4	Body Stud		J015432		J021442
			Material	ASTM A193 Grade B7		ASTM A193 Grade L7
26	4	Body Stud Nut		2709000-10-01		J053252-038
			Material	ASTM A194 Grade 2H		ASTM A194 Grade 7

! Major Repair Kit J025177-10274 - One Each For One Year's Service.  
 # Minor Repair Kit J025177-00274.

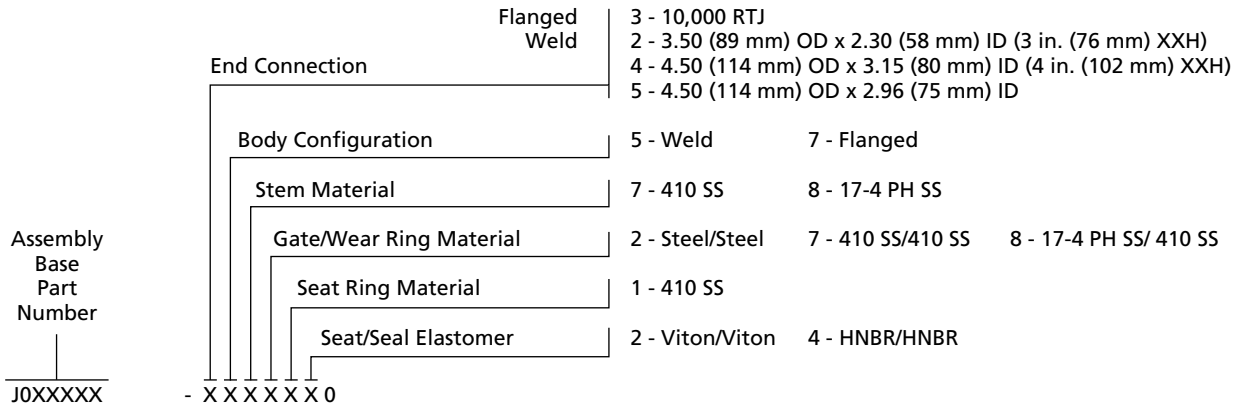
## SERIES DM GATE VALVES - 7500 psi WP 3 in. (80 mm) FULL PORT FOR GENERAL SERVICE CONDITIONS



### DIMENSIONAL DATA & WEIGHTS

DIMENSION	VALVE SIZE	3 in. (80 mm) FP 7500 WP
A	Weld End	13.00 (330)
	Flanged End	24.38 (619)
<b>VALVE SEAT ID</b>		3.00 (76)
<b>FOR FLANGED ENDS</b>		
	API Ring Number	BX-154
	Flange ID	3.06 (78)
	Flange OD	10.62 (270)
	Flange Bolts (QTY. - SIZE in.)	8 - 1
<b>NUMBER OF HANDLE TURNS FROM OPEN TO CLOSED</b>		16.01
<b>WEIGHT lb. (kg)</b>		
	Weld End	256 (116)
	Flanged End	372 (169)

## SERIES DM GATE VALVES ASSEMBLY PART NUMBER



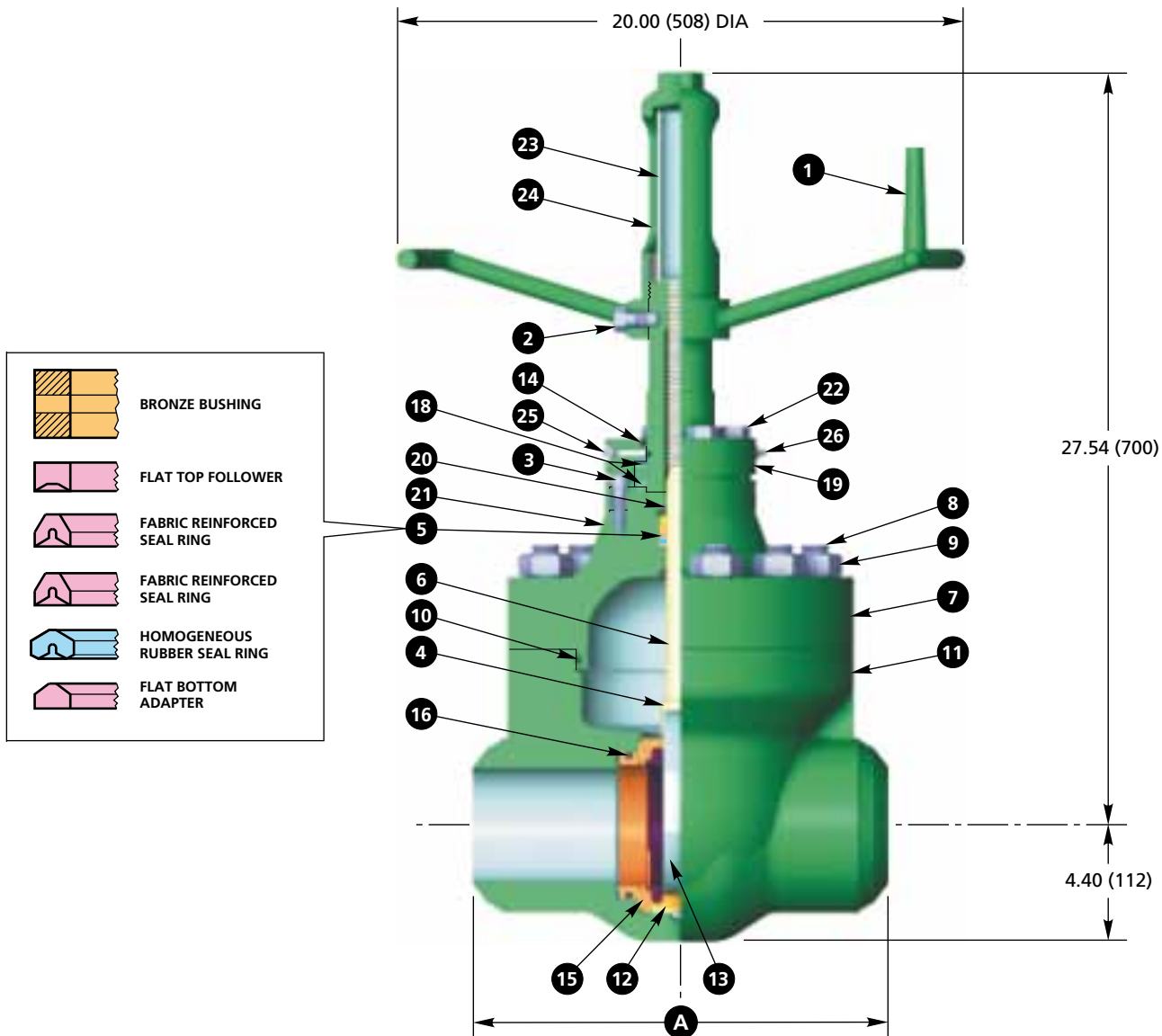
- Group 1 Basic valve. Designed in accordance with the methods in API 6A, 17th Edition, par 4.3.3. Hydrostatic shell test: 11,250 psi for 3 minutes. Hydrosatic seat test: 7500 psi for 3 minutes, each side. Material traceability on body and bonnet.
- Group 2 Same as Group 1 except: Hydrostatic shell test: 11,250 psi for 3 minutes, drop to 0 psi, 11,250 psi for 15 minutes. Test is charted. Hydrostatic seat test: 7500 psi for 3 minutes, drop to 0 psi, 7500 for 15 minutes, drop to 0 psi, 300 psi for 5 minutes, each side. Test is charted. Material traceability on body, bonnet, stem, gate and bolting. Impact tests at or below -50°F (-46°C) on body, bonnet, stem, housing (2 in. (50 mm) & 3 in. (80 mm)), packing retainer (4 in. (100 mm) & 5 in. (127 mm)) and bolting. Surface NDE on body, bonnet and stem.
- Group 3 Same as Group 2 plus volumetric NDE on body and bonnet.

### PARTS LIST

Key No.	Qty.	DESCRIPTION	VALVE SIZE GROUP NUMBER	3 in. (80 mm) FP		
				GROUP 1	GROUP 2	GROUP 3
Assembly Base Number				J025051	J025079	J025080
1	1	Lube Fitting	Steel		J005195	
2	1	Handle	Ductile Iron ASTM A536 Grade 65-45-12		2139481-01	
3	1	Stem Tube	Clear Acrylic		J007459	
4	1	Stem Cap	Ductile Iron ASTM A536 Grade 65-45-12		J007411	
5	1	Key	Steel		J005305-10016	
!	6	Stem Screw	AISI C-1213		J007416	
!	7	Housing Seal	Buna-N		J005526-226	
8	1	Housing	ASTM A350 Grade LF2 Class 1 Materials	J007418 AISI C 1029 Normalized	J021448-040 ASTM A352 Grade LCC	
!	9	Stem	410 SS 17-4 PH SS		J024951-107	
!	10	Secondary Seal	HNBR Viton		2712425-01 J005531-214	
11	1	Packing Retainer	Materials	J007413 AISI C-1213	J021434 17-4 PH SS	
!	12	Stem Seal Assembly (With Bronze Bushing - SAE 660)	HNBR Viton		J001951-008 J001951-006	
!	13	Bearing	TEFLON/Phenolic		J007426	
!#	14	Gate Clip	AISI 302 SS		M450505	
!#	15	Body Wear Ring	For Steel Gate Material For SS Gate Material		M452571 AISI 4140 w/QPQ Nitride Coating 2139648-02 AISI 410 Stainless Steel	
16	1	Bonnet	ASTM A487 Grade 4 Class D	J017289-029	2140370-01	2140370-02
!#	17	Wear Ring Seal	HNBR Viton		2712783-03 J005521-340	
!#	18	Bonnet Seal	HNBR Viton		2712787-07 J005521-361	
!#	19	Gate	AISI 4140 w/QPQ Nitride Coating 410 SS 17-4 PH SS		2171112-01 2139628-02 J024952-008	
20	1	Body Materials:	Weld End - ASTM A487 Grade 4 Class D Flanged End - Fabrication From Weld End Body & AISI 4130 Flanges		Consult Factory For Body Part Numbers	
!#	21	Seat	410 SS/HNBR Material 410 SS/Viton Material		2139744-01 Rings: AISI 410 SS, Elastomers: HNBR Rings: AISI 410 SS, Elastomers: Viton	
23	2	Housing Stud	Material	J002072 ASTM A193 Grade B7	J021441 ASTM A193 Grade L7	
24	2	Housing Stud Nut	Material	2709000-09-01 ASTM A194 Grade 2H	J053252-036 ASTM A194 Grade 7	
25	12	Body Stud	Material	J015432 ASTM A193 Grade B7	J021442 ASTM A193 Grade L7	
26	12	Body Stud Nut	Material	2709000-10-01 ASTM A194 Grade 2H	J053252-038 ASTM A194 Grade 7	

! Major Repair Kit J025177-10374 - One Each For One Year's Service.  
 # Minor Repair Kit J025177-00374.

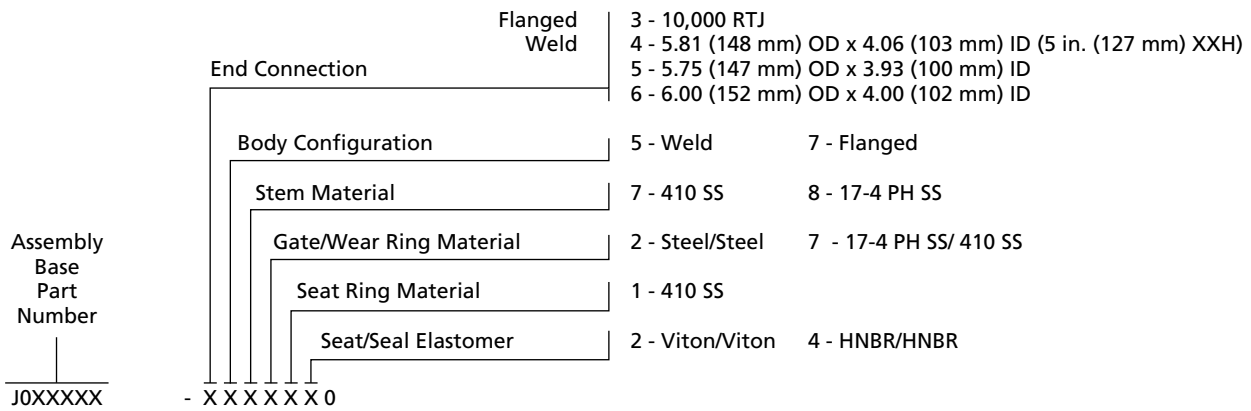
## SERIES DM GATE VALVES - 7500 psi WP 4 in. (100 mm) FULL PORT FOR GENERAL SERVICE CONDITIONS



### DIMENSIONAL DATA & WEIGHTS

DIMENSION	VALVE SIZE	4 in. (100 mm) FP 7500 WP
A	Weld End	16.00 (406)
	Flanged End	26.38 (670)
VALVE SEAT ID		4.00 (102)
FOR FLANGED ENDS		
	API Ring Number	BX-155
	Flange ID	4.06 (103)
	Flange OD	12.44 (316)
	Flange Bolts (QTY. - SIZE in.)	8 - 1 1/8
NUMBER OF HANDLE TURNS FROM OPEN TO CLOSED		21.36
WEIGHT lb. (kg)		
	Weld End	310 (141)
	Flanged End	475 (215)

## SERIES DM GATE VALVES ASSEMBLY PART NUMBER



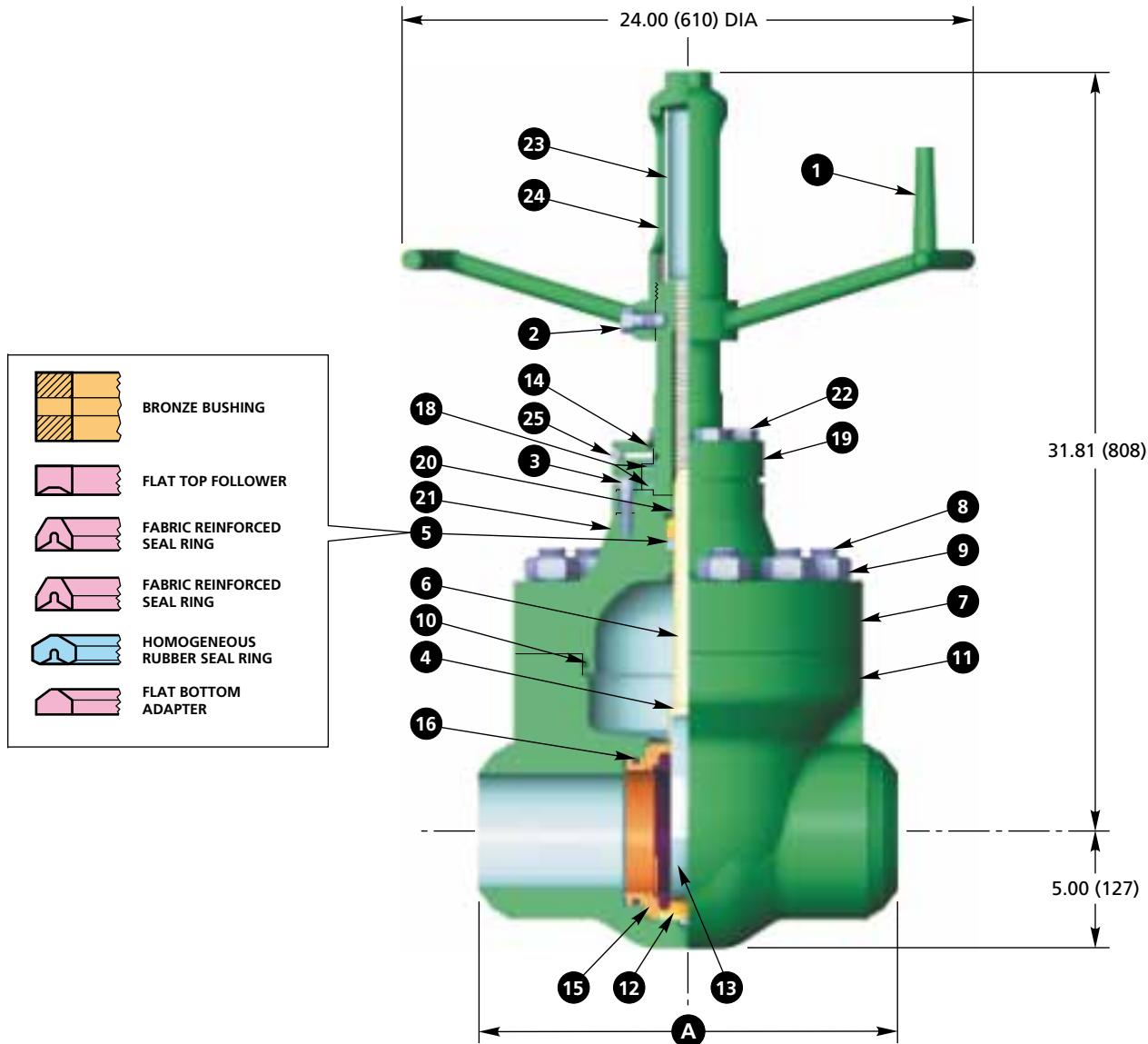
- Group 1 Basic valve. Designed in accordance with the methods in API 6A, 17th Edition, par 4.3.3. Hydrostatic shell test: 11,250 psi for 3 minutes. Hydrosatic seat test: 7500 psi for 3 minutes, each side. Material traceability on body and bonnet.
- Group 2 Same as Group 1 except: Hydrostatic shell test: 11,250 psi for 3 minutes, drop to 0 psi, 11,250 psi for 15 minutes. Test is charted. Hydrostatic seat test: 7500 psi for 3 minutes, drop to 0 psi, 7500 for 15 minutes, drop to 0 psi, 300 psi for 5 minutes, each side. Test is charted. Material traceability on body, bonnet, stem, gate and bolting. Impact tests at or below -50°F (-46°C) on body, bonnet, stem, housing (2 in. (50 mm) & 3 in. (80 mm)), packing retainer (4 in. (100 mm) & 5 in. (127 mm)) and bolting. Surface NDE on body, bonnet and stem.
- Group 3 Same as Group 2 plus volumetric NDE on body and bonnet.

### PARTS LIST

Key No.	Qty.	DESCRIPTION	VALVE SIZE GROUP NUMBER	4 in. (100 mm) FP		
				GROUP 1	GROUP 2	GROUP 3
<b>Assembly Base Number</b>				J025100	J025101	J025081
1	1	Handwheel	Ductile Iron ASTM A536 Grade 65-45-12		J015334	
2	1	Handwheel Screw	AISI C-1018		J014832	
3	4	Retainer Screw	Material	J005665-32028 Alloy Steel	J005666-32028 18-8 SS	
#	4	Gate Clip	AISI 302 SS		M450505	
!	5	Stem Seal Assembly (With Bronze Bushing ASTM B271 Alloy C95500)	HNBRV Viton		J015853-008 J015853-006	
!	6	Stem	410 SS 17-4 Ph SS		2140684-01	
7	1	Bonnet	ASTM A487 Grade 4 Class D	2172523-01	2172523-02	2172523-03
8	10	Body Stud	Materials	2171976-11-01 ASTM A193 Grade B7	2171978-11-01 ASTM A193 Grade L7	
9	10	Body Stud Nut	Material	2709000-11-01 ASTM A194 Grade 2H	J053252-140 ASTM A194 Grade 7	
#	10	Bonnet Seal	HNBR Viton		2712426-11 J005521-364	
11	1	Body Materials:	Weld End: ASTM A487 Grade 4 Class D Flanged End - Fabricated From Weld End Body & AISI 4130 Flanges		Consult Factory For Body Part Numbers	
#	12	Seat	410 SS/HNBR Material 410 SS/Viton Material	Rings: AISI 410 Stainless Steel, Elastomers: HNBR	2139746-01	
#	13	Gate - Steel/QPQ	AISI 4140 w/QPQ Nitride Coating 410 SS 17-4 PH SS		2171267-01 2139637-02	
!	14	Housing Seal	Buna-N		J005526-228	
#	15	Body Wear Ring	For Steel Gate Material For Stainless Steel Gate Material		M452290 AISI 4140 w/QPQ Nitride Coating 2139649-02 AISI 410 Stainless Steel	
#	16	Wear Ring Seal	HNBR Viton		2712787-04 J005521-349	
!	18	Stem Screw with Bearings	Material		J023888 Stem Screw: AISI C-1018 Bearings: Hardened Steel Needle Thrust Bearings	
19	1	Housing	AISI C-1018		J015332	
!	20	Secondary Seal	HNBR Viton		2726268-01 J005531-216	
21	1	Packing Retainer	Material	J015330 AISI C-1018	2172425-02 AISI 4130	
22	4	Housing Screw	Steel SAE Grade 5		702500-14-00-34	
23	1	Stem Tube	Clear Acrylic		J012852	
24	1	Stem Cap	Ductile Iron		J015855	
25	1	Lube Fitting	Steel		J005195	
26	1	Relief Fitting	Steel		J051971	

! Major Repair Kit J025177-10474 - One Each For One Year's Service.  
 # Minor Repair Kit J025177-00474.

## SERIES DM GATE VALVES - 7500 psi WP 5 3/16 in. (132 mm) FULL PORT FOR GENERAL SERVICE CONDITIONS

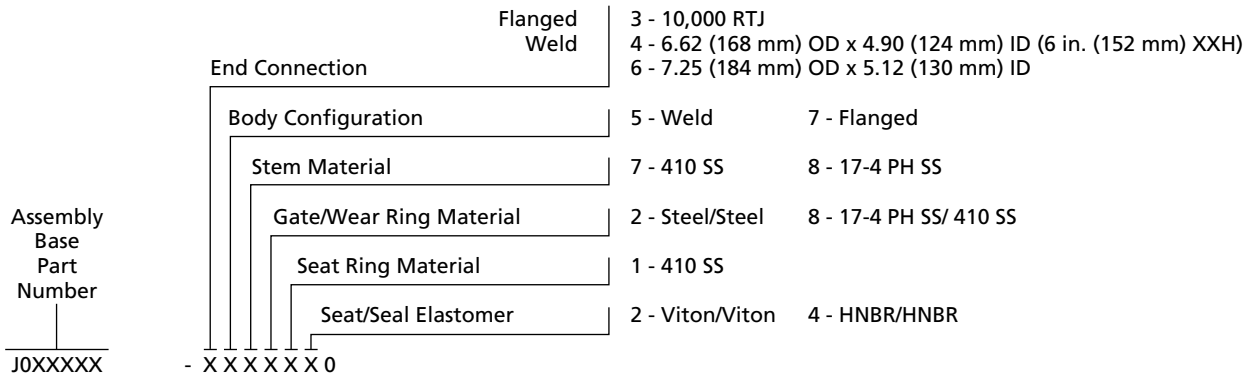


### DIMENSIONAL DATA & WEIGHTS

DIMENSION	VALVE SIZE	5 3/16 in. (132 mm) FP 7500 WP
A	Weld End	17.88 (454)
	Flanged End	29.00 (737)
<b>VALVE SEAT ID</b>		5.19 (132)
<b>FOR FLANGED ENDS</b>		
	API Ring Number	BX-169
	Flange ID	5.12 (130)
	Flange OD	14.06 (357)
	Flange Bolts (QTY. - SIZE in.)	12 - 1 1/8
<b>NUMBER OF HANDLE TURNS FROM OPEN TO CLOSED</b>		27.67
<b>WEIGHT lb. (kg)</b>		
	Weld End	506 (230)
	Flanged End	761 (345)



## SERIES DM GATE VALVES ASSEMBLY PART NUMBER



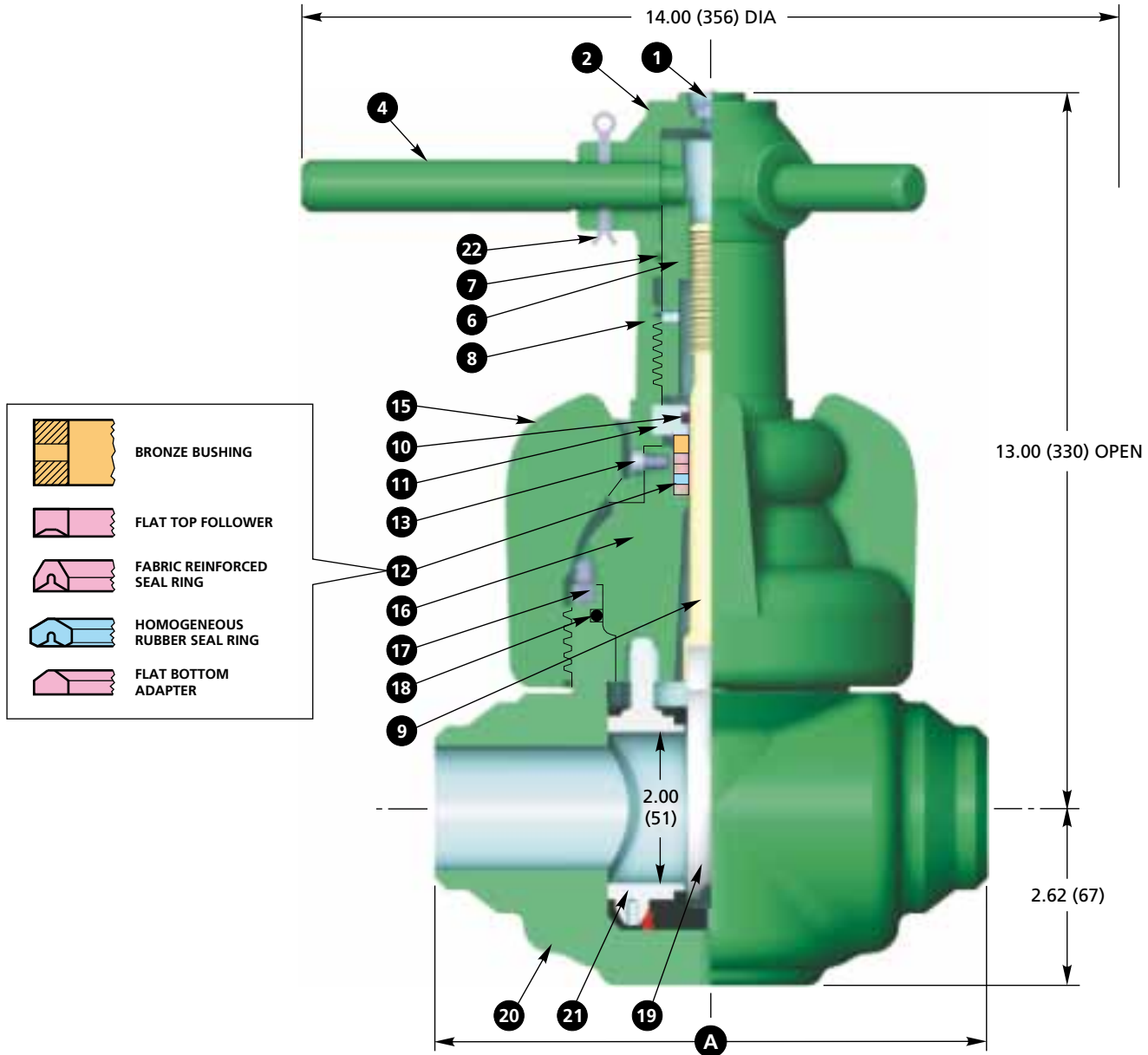
- Group 1 Basic valve. Designed in accordance with the methods in API 6A, 17th Edition, par 4.3.3. Hydrostatic shell test: 11,250 psi for 3 minutes. Hydrosatic seat test: 7500 psi for 3 minutes, each side. Material traceability on body and bonnet.
- Group 2 Same as Group 1 except: Hydrostatic shell test: 11,250 psi for 3 minutes, drop to 0 psi, 11,250 psi for 15 minutes. Test is charted. Hydrostatic seat test: 7500 psi for 3 minutes, drop to 0 psi, 7500 for 15 minutes, drop to 0 psi, 300 psi for 5 minutes, each side. Test is charted. Material traceability on body, bonnet, stem, gate and bolting. Impact tests at or below -50°F (-46°C) on body, bonnet, stem, housing (2 in. (50 mm) & 3 in. (80 mm)), packing retainer (4 in. (100 mm) & 5 in. (127 mm)) and bolting. Surface NDE on body, bonnet and stem.
- Group 3 Same as Group 2 plus volumetric NDE on body and bonnet.

### PARTS LIST

Key No.	Qty.	DESCRIPTION	VALVE SIZE GROUP NUMBER	5 3/16 in. (132 mm) FP		
				GROUP 1	GROUP 2	GROUP 3
		Assembly Base Number	J024994	J025083	J025084	
1	1	Handwheel	Ductile Iron ASTM A536 Grade 65-45-12		J016986	
2	1	Handwheel Screw	AISI C-1018		J016987	
3	4	Retainer Screw		J005665-32028 Alloy Steel	J005666-32028 18-8 SS	
#	4	Gate Clip	AISI 302 SS		M451649	
!	5	Stem Seal Assembly (With Bronze Bushing ASTM B271 Alloy C95500)	HNBR Viton		J016995-008 J016995-006	
!	6	Stem	410 SS 17-4 Ph SS		J024943-107	
7	1	Bonnet	ASTM A487 Grade 4 Class D	J024956-030	J024956-051 J024956-052	
8	12	Body Stud	Materials	2171976-12-01 ASTM A193 Grade B7	2171978-12-02 ASTM A193 Grade L7	
9	12	Body Stud Nut	Material	2709000-12-01 ASTM A194 Grade 2H	J053252-142 ASTM A194 Grade 7	
#	10	Bonnet Seal	HNBR Viton		2712425-78 J005521-446	
11	1	Body Materials: Weld End: ASTM A487 Grade 4 Class D Flanged End - Fabricated From Weld End Body & AISI 4130 Flanges			Consult Factory For Body Part Numbers	
#	12	Seat	410 SS/HNBR Material 410 SS/Viton Material		2139748-01 Rings: AISI 410 Stainless Steel, Elastomer: HNBR Rings: AISI 410 Stainless Steel, Elastomer: Viton	
#	13	Gate - Steel/QPQ	AISI 4140 w/QPQ Nitride Coating 410 SS 17-4 PH SS		2171108-01 2139629-02 J024957-008	
!	14	Housing Seal	Urethane		2726191-02-95	
#	15	Body Wear Ring	For Steel Gate Material For Stainless Steel Gate Material		M452619 AISI 4140 w/QPQ Nitride Coating 2139650-02 AISI 410 Stainless Steel	
#	16	Wear Ring Seal	HNBR Viton		2726268-02 J005521-435	
!	18	Stem Screw with Bearings	Material		J023848 Stem Screw: AISI C-1018 Bearings: Hardened Steel Needle Thrust Bearings	
19	1	Housing	AISI C-1018		J018190	
!	20	Secondary Seal	HNBR Viton		2712425-12 J005531-218	
21	1	Packing Retainer	Material	J018191 AISI C-1018	2171930-01 AISI 4130	
22	4	Housing Screw	Steel SAE Grade 5		702500-16-00-40	
23	1	Stem Tube	Clear Acrylic		J018192	
24	1	Stem Cap	Ductile Iron		J018193	
25	1	Lube Fitting	Steel		J005195	

! Major Repair Kit J025177-10574 - One Each For One Year's Service.  
 # Minor Repair Kit J025177-00574.

**SERIES DM GATE VALVES - 2000, 3000 & 5000 psi WP**  
**2 in. (50 mm) FULL PORT & 2 1/2 in. (65 mm) REDUCED PORT**  
**FOR GENERAL SERVICE CONDITIONS**

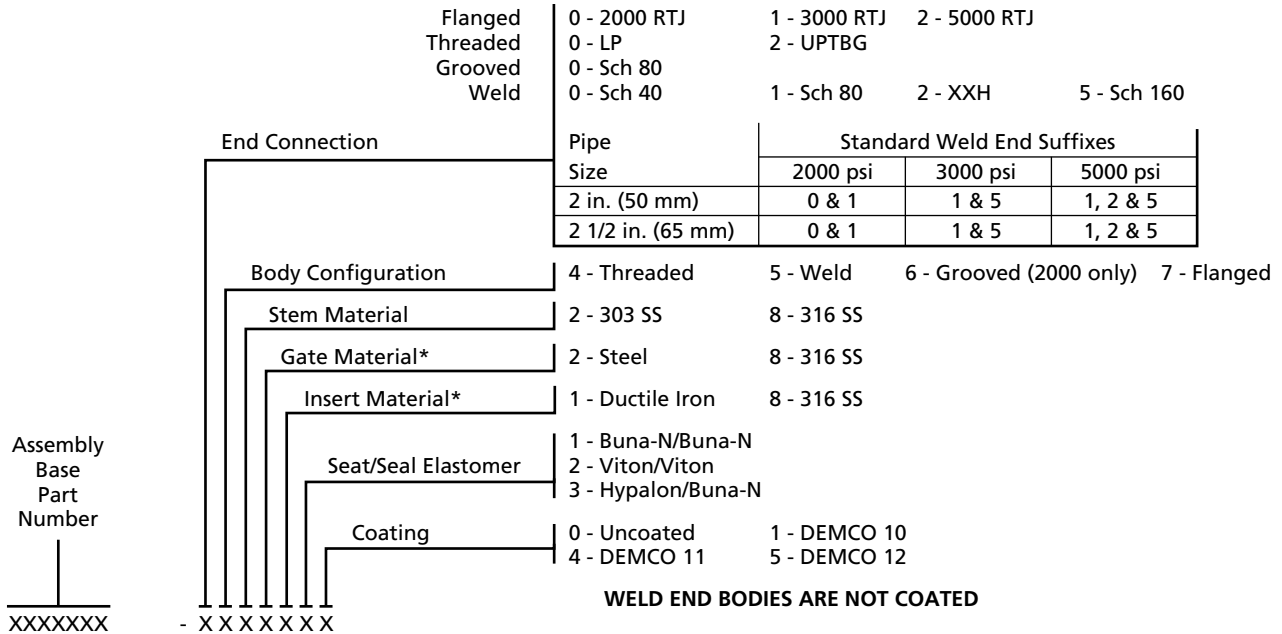


**DIMENSIONAL DATA & WEIGHTS**

DIMENSION	VALVE SIZE	2 in. (50 mm) FP & 2 1/2 in. x 2 in. (65 mm x 50 mm) RP*					
		2000 WP - 4000 TEST		3000 WP - 6000 TEST		5000 WP - 7500 TEST	
A	Threaded, Weld and Grooved	9.00 (229)	9.00 (229)	9.00 (229)	9.00 (229)	9.00 (229)	9.00 (229)
	Flanged - RTJ	11.62 (295)	-	11.62 (295)	-	12.12 (308)	-
	Flange OD	6.50 (165)	-	8.50 (216)	-	8.50 (216)	-
	Flange Bolts (QTY. - SIZE in.)	8 - 5/8	-	8 - 7/8	-	8 - 7/8	-
	Ring Number (RTJ)	R-23	-	R-24	-	R-24	-
<b>WEIGHT lb. (kg)</b>							
	Threaded, Weld, Grooved	56 (25)	56 (25)	58 (26)	58 (26)	58 (26)	58 (26)
	Flanged	70 (32)	70 (32)	100 (45)	100 (45)	110 (50)	110 (50)

\* 2 1/2 in. x 2 in. (65 mm x 50 mm) RP Only Available in Weld End.

## SERIES DM GATE VALVES ASSEMBLY PART NUMBER



\*Consult Factory For Additional Trim Options.

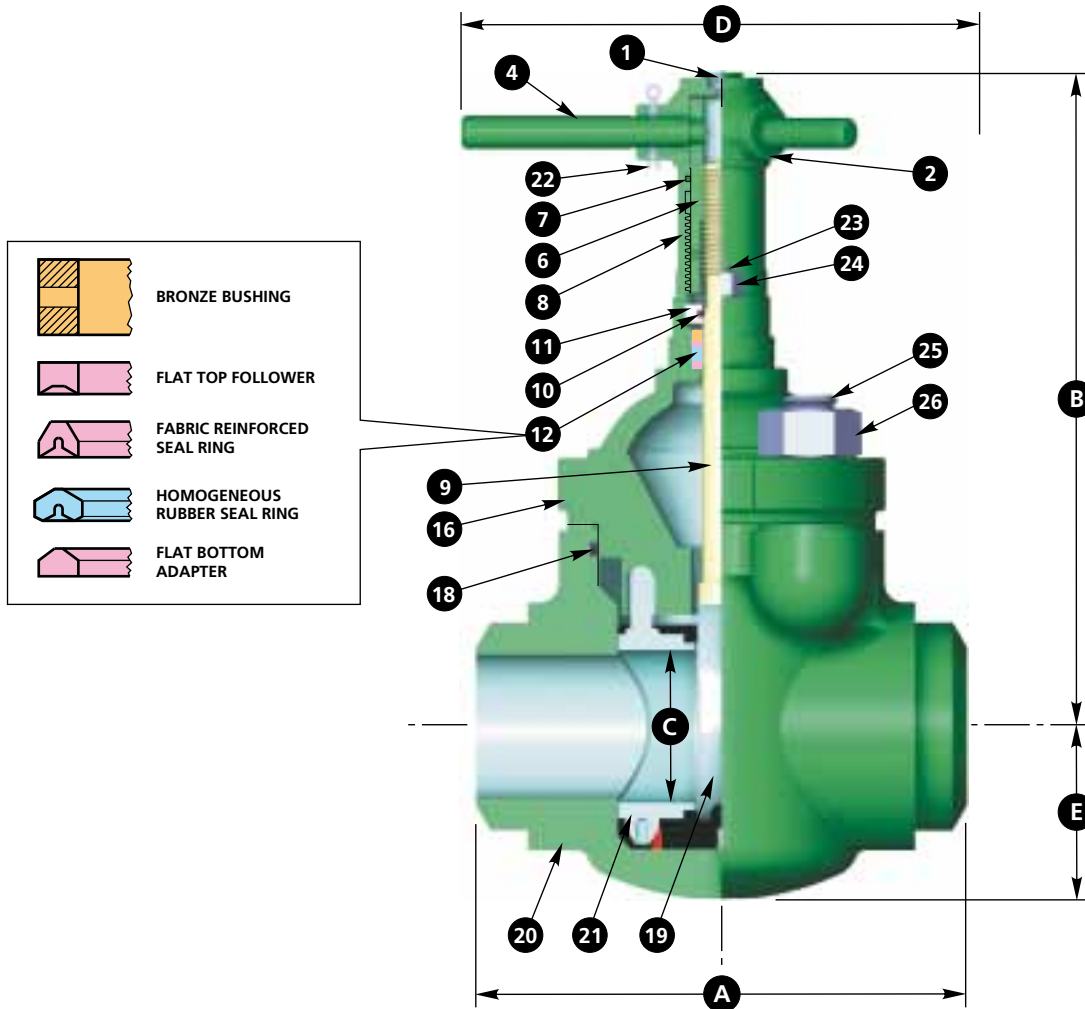
### PARTS LIST

Key No.	Qty.	DESCRIPTION	VALVE SIZE	2 in. (50 mm) FP & 2 1/2 in. (65 mm) RP		
				2000 WP	3000 WP	5000 WP
		Assembly Base Part Number 2 in. (50 mm) Full Port Threaded		J001026	J001027	J001028
		- Weld		J001029	J001030	J001031
		- Grooved		J011920	-	-
		- Flanged		J001023	J001024	J001025
		2 1/2 in. (65 mm) Reduced Port - Weld		J001115	J001114	J001109
1	1	Lube Fitting	Steel	J005195	J005195	J005195
2	1	Handle	ASTM A536 Ductile Iron	2139712-01	2139712-01	2139712-01
4	1	Lock handle	C-1213	J001891	J001891	J001891
!	6	Stem Screw	C-1213	J001913	J001913	J001913
!	7	Stem Screw Seal	Buna-N	J005526-224	J005526-224	J005526-224
8	1	Screw Housing	C-1018	J001848	J001848	J001848
!	9	Stem	303 SS -002, 316 SS -008	J001931-XXX	J001931-XXX	J001931-XXX
!	10	Secondary Seal	Buna-N	J005526-210	J005526-210	J005526-210
11	1	Retainer	C-1213	J001940	J001940	J001940
!	12	Stem Seal Assembly	Buna-N -001, Viton -006	J001949-XXX	J001949-XXX	J001949-XXX
13	1	Lock Screw	Steel	J005665-22004	J005665-22004	J005665-22004
15	1	Coupling	A216 Steel -020, A487 Steel -030	J001446-020	J001446-020	J001445-030
16	1	Bonnet	ASTM A105 Coatings	J001237-XXX	J001237-XXX	J001237-XXX
			Uncoated-020, Coated DEMCO 10-021, DEMCO 11-024, DEMCO 12-025			
17	1	Index Pin	Steel	J001981	J001981	J001981
!#	18	Bonnet Seal	Buna-N	J005526-342	J005526-342	J005526-342
			Viton	J005531-342	J005531-342	J005531-342
!#	19	Gate	Materials	J001887-XXX	J001887-XXX	J001887-XXX
			AISI 1045 Nickel Plated -002, Cast SS ASTM A351 Grade CF8M -008			
20	1	Body Materials:				
		Threaded, Weld & Grooved - ASTM A105 Normalized				
		2000 Flanged - Fabricated from Weld Body and Commercial Flanges				
		3000 Flanged - ASTM A216 Grade WCB				
		5000 Flanged - ASTM A487 Grade 4A or 2B				
		Coatings (Except Weld End Bodies):				
		DEMCO 10, DEMCO 11, DEMCO 12				
!#	21	Seat Assembly	Materials	J001876-0XX	J001876-0XX	J001876-0XX
			Inserts: -01X Ductile Iron ASTM A395 or Steel AISI C1040			
			-08X 316 SS ASTM A351 Grade CF8M Annealed			
			Elastomers: -0X1 Buna-N, -0X2 Viton, -0X3 Hypalon			
22	1	Pin, Lock Handle	Steel	J005420-18728	J005420-18728	J005420-18728

! Major Repair Kit J025091-10221 - One Each For One Year's Service.

# Minor Repair Kit J025091-00221.

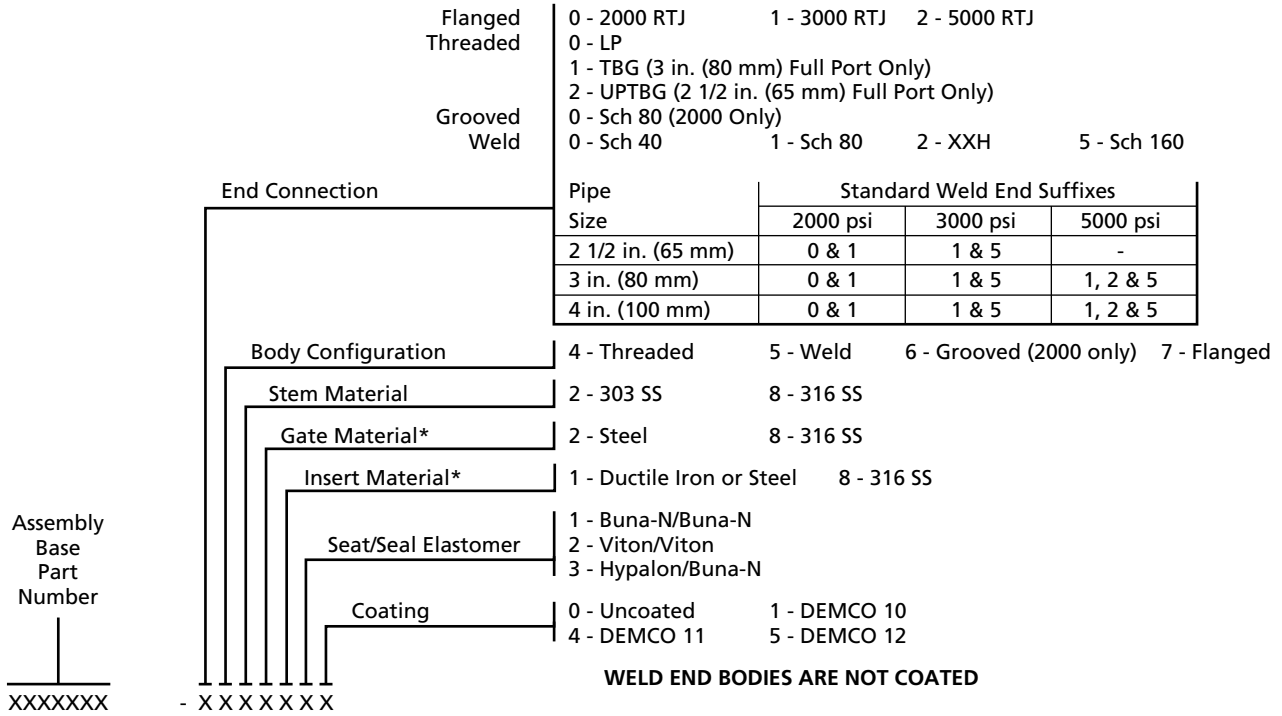
**SERIES DM GATE VALVES - 2000, 3000 & 5000 psi WP**  
**2 1/2 in. (65 mm) & 3 in. (80 mm) FULL PORT**  
**4 in. (100 mm) REDUCED PORT**  
**FOR GENERAL SERVICE CONDITIONS**



**DIMENSIONAL DATA & WEIGHTS**

VALVE SIZE in. (mm)	FP		FP		RP		RP	
	2 1/2 (65) 2000 WP - 4000 TEST	3 (80) 3000 WP - 6000 TEST	2 1/2 (65) 3000 WP - 6000 TEST	3 (80) 4 x 3 (100 x 80)	4 x 3 (100 x 80)	FP 3 (80) 5000 WP - 7500 TEST	RP 4 x 3 (100 x 80)	
<b>A</b> Threaded, Weld & Grooved Flanged - RTJ	9.75 (248) 16.62 (422)	11.00 (279) 14.12 (359)	9.75 (248) 16.62 (422)	11.00 (279) 14.12 (359)	11.00 (279) -	11.00 (279) 15.62 (397)	11.00 (279) -	
<b>B</b> (Open)	17.00 (432)	18.00 (457)	17.00 (432)	18.00 (457)	18.00 (457)	18.00 (457)	18.00 (457)	
<b>C</b> (Seat Bore)	2.50 (64)	3.00 (76)	2.50 (64)	3.00 (76)	3.00 (76)	3.00 (76)	3.00 (76)	
<b>D</b>	19.00 (483)	19.00 (483)	19.00 (483)	19.00 (483)	19.00 (483)	19.00 (483)	19.00 (483)	
<b>E</b> Threaded, Weld & Grooved Flanged - RTJ	3.12 (79) 3.19 (81)	3.50 (89) 3.50 (89)	3.25 (83) 3.19 (81)	3.69 (94) 3.69 (94)	3.69 (94) -	3.94 (100) 3.94 (100)	3.94 (100) -	
Flange OD	7.50 (191)	8.25 (210)	9.62 (244)	9.50 (241)	-	10.50 (267)	-	
Flange Bolts (QTY. - SIZE in.)	8 - 3/4	8 - 3/4	8 - 1	8 - 7/8	-	8 - 1 1/8	-	
Ring Number (RTJ)	R-26	R-31	R-27	R-31	-	R-35	-	
<b>WEIGHT lb. (kg)</b>								
Threaded, Weld & Grooved	74 (34)	95 (43)	87 (39)	113 (51)	113 (51)	140 (64)	140 (64)	
Flanged	141 (64)	131 (59)	170 (77)	175 (79)	-	241 (109)	-	

## SERIES DM GATE VALVES ASSEMBLY PART NUMBER



\*Consult Factory For Additional Trim Options.

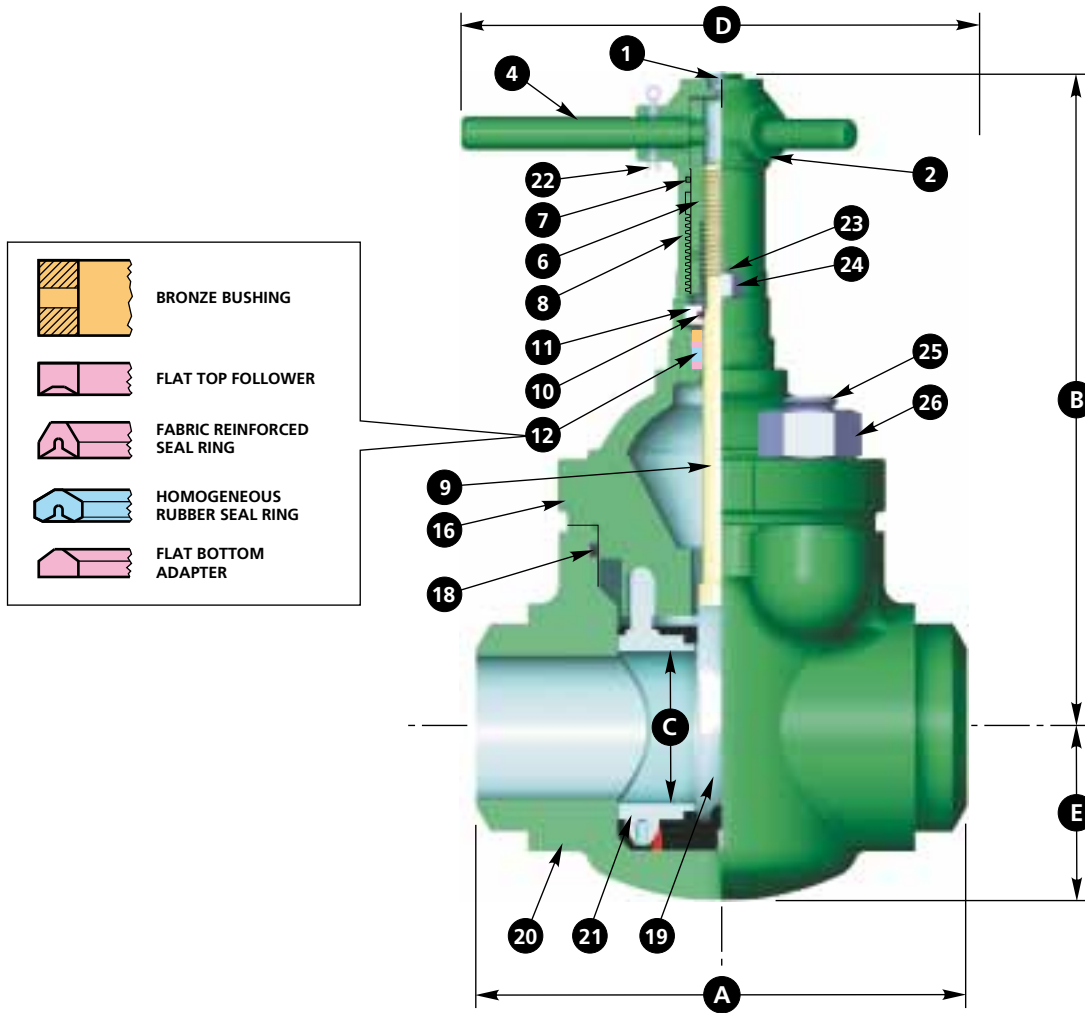
### PARTS LIST

Key No.	Qty.	DESCRIPTION	VALVE SIZE	2 1/2 in. (65 mm) FP			3 in. (80 mm) FP & 4 in. (100 mm) RP		
				2000 WP	3000 WP	5000 WP	2000 WP	3000 WP	5000 WP
		Assembly	2 1/2 & 3 Full Port - Threaded	J001042	-	J001043	J001045	J001046	J001047
			- Weld	J001051	-	J001052	J001054	J001055	J001056
			- Grooved	J011921	-	-	J011922	-	-
			- Flanged	-	J001033	J001034	J001036	J001037	J001038
			4 in. Reduced Port - Weld	-	-	-	-	J001113	J001110
1	1	Lube Fitting	Steel	J005195	J005195	J005195	J005195	J005195	J005195
2	1	Hub Assembly	ASTM A536 Ductile Iron	2139713-01	2139713-01	2139713-01	2139713-01	2139713-01	2139713-01
4	1	Lock Handle	AISI C1213	J001892	J001892	J001892	J001892	J001892	J001892
!	6	Stem Screw	AISI C1213	J001914-002	J001914-002	J001914-002	J001914-003	J001914-003	J001914-003
!	7	Stem Screw Seal	Buna-N	J005526-226	J005526-226	J005526-226	J005526-226	J005526-226	J005526-226
8	1	Screw Housing	Carbon Steel	J001852	J001852	J001852	J001852	J001852	J001852
!	9	Stem	303 SS - 002, 316 SS - 008	J001932-XXX	J001932-XXX	J001932-XXX	J001932-XXX	J001932-XXX	J001932-XXX
!	10	Secondary Seal	Buna-N	J005526-212	J005526-212	J005526-212	J005526-212	J005526-212	J005526-212
11	1	Retainer	AISI C1213	J001941	J001941	J001941	J001941	J001941	J001941
!	12	Stem Seal Assembly	Buna-N -001, Viton -006	J001950-XXX	J001950-XXX	J001950-XXX	J001950-XXX	J001950-XXX	J001959-XXX
16	1	Bonnet	Cast Steel ASTM A487 4A or 2B Coatings	J001970-XXX	J001974-XXX	J001974-XXX	J001971-XXX	J001976-XXX	J001980-XXX
				Uncoated -030, Coated DEMCO 10 -031, DEMCO 11 -034, DEMCO 12 -035					
!#	18	Bonnet Seal	Buna-N	J005526-427	J005526-427	J005526-427	J005526-431	J005526-433	J005526-433
			Viton	J005531-427	J005531-427	J005531-427	J005531-431	J005531-433	J005531-433
!#	19	Gate	Materials	J001868-00X	J001868-00X	J001868-00X	J001886-00X	J001886-00X	J001886-00X
				AISI 4140 Nickel Plated -002, Cast SS ASTM A351 Grade CF8M -008					
20	1	Body Materials:	ASTM A487 Grade 4 Class A or Grade 2 Class B				Consult Factory For		
			Coatings (Except Weld End Bodies):				Body Part Numbers		
			DEMCO 10, DEMCO 11, DEMCO 12						
!#	21	Seat Assembly	Materials	J001877-0XX	J001877-0XX	J001877-0XX	J001878-0XX	J001878-0XX	J001878-0XX
				Inserts: -001 Ductile Iron ASTM A395 or Steel AISI C1040					
				-008 316 SS ASTM A351 Grade CF8M Annealed					
				Elastomers: -0X1 Buna-N, -0X2 Viton, -0X3 Hypalon					
22	1	Pin, Lock Handle	Steel	J005420-18732	J005420-18732	J005420-18732	J005420-18732	J005420-18732	J005420-18732
23	2	Bonnet Stud	ASTM A193 Grade B7	J002066	J002066	J002066	J002066	J002066	J002066
24	2	Bonnet Stud Nut	ASTM A194 Grade 2H	2709000-08-01	2709000-08-01	2709000-08-01	2709000-08-01	2709000-08-01	2709000-08-01
25	4	Body Stud	ASTM A193 Grade B7	J002072	J002074	J002074	J002072	J002074	J002076
26	4	Body Stud Nut	ASTM A194 Grade 2H	2709000-09-01	2709000-10-01	2709000-10-01	2709000-09-01	2709000-10-01	2709000-13-01

! Major Repair Kit J025091-10321 - One Each For One Year's Service.

# Minor Repair Kit J025091-00321.

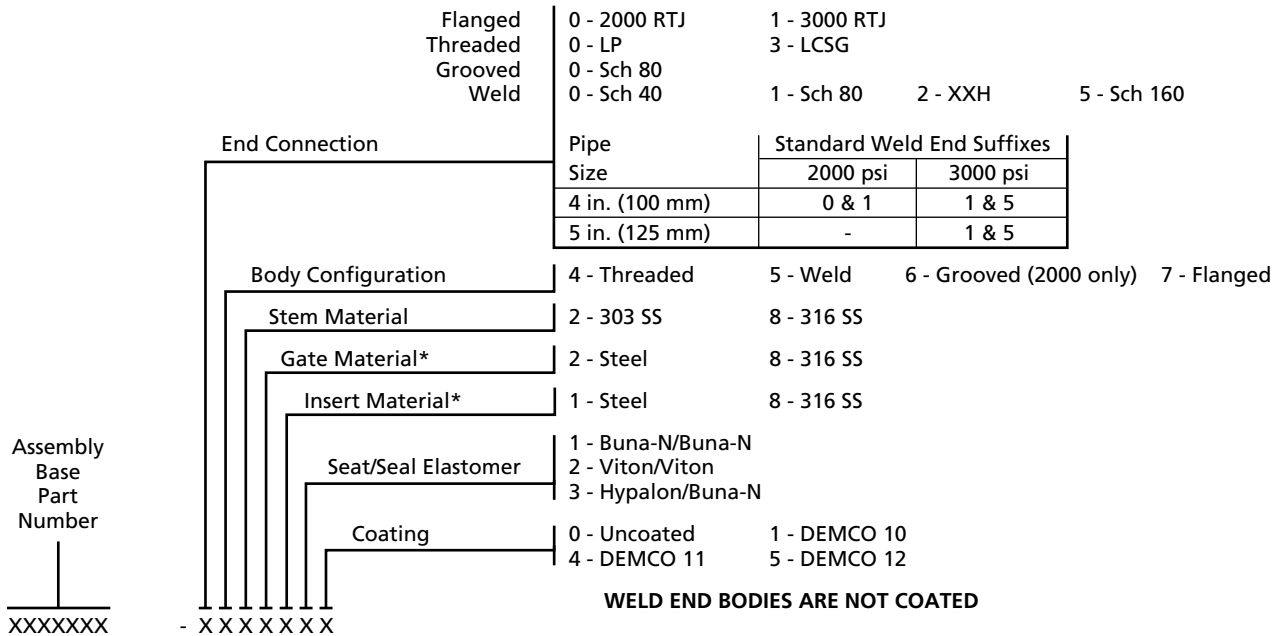
**SERIES DM GATE VALVES - 2000 & 3000 psi WP**  
**4 in. (100 mm) FULL PORT**  
**5 in. (125 mm) REDUCED PORT**  
**FOR GENERAL SERVICE CONDITIONS**



**DIMENSIONAL DATA & WEIGHTS**

DIMENSION	VALVE SIZE	4 in. (100 mm) FP	4 in. (100 mm) FP	5 in. x 4 in. (125 mm x 100 mm) RP
		2000 WP - 4000 TEST	3000 WP	3000 WP - 6000 TEST
A	Threaded, Weld & Grooved Flanged - RTJ	13.00 (330) 16.38 (416)	13.00 (330) 16.38 (416)	13.00 (330) -
B	(Open)	21.25 (540)	21.25 (540)	21.25 (540)
C	(Seat Bore)	4.00 (102)	4.00 (102)	4.00 (102)
D		23.00 (584)	23.00 (584)	23.00 (584)
E	Threaded, Weld & Grooved Flanged - RTJ	4.31 (109) 4.31 (109)	4.56 (116) 4.56 (116)	4.56 (116) -
	Flange OD	10.75 (274)	11.50 (292)	-
	Flange Bolts (QTY. - SIZE in.)	8 - 7/8	8 - 1 1/8	-
	Ring Number (RTJ)	R-37	R-37	-
<b>WEIGHT lb. (kg)</b>				
	Threaded, Weld & Grooved	140 (64)	162 (73)	162 (73)
	Flanged	200 (91)	265 (120)	-

## SERIES DM GATE VALVES ASSEMBLY PART NUMBER



### PARTS LIST

Key No.	Qty.	DESCRIPTION	VALVE SIZE	4 in. (100 mm) FP** 2000 WP	4 in. (100 mm) FP & 5 in. (125 mm) RP 3000 WP
		Assembly	4 in. Full Port - Threaded - Weld - Grooved - Flanged 5 in. Reduced Port - Weld	J001048 J001057 J011923 J001039 -	J001049 J001058 - J001040 J001111
1	1	Lube Fitting	Steel	J005195	J005195
2	1	Hub Assembly	ASTM A536 Ductile Iron	2139714-01	2139714-01
4	1	Lock Handle	C-1213	J001897	J001897
!	6	Stem Screw	C-1213	J001915	J001915
!	7	Stem Screw Seal	Buna-N	J005526-227	J005526-227
8	1	Screw Housing	Carbon Steel	J001958	J001958
!	9	Stem	303 SS -002, 316 SS -008	J001933-XXX	J001933-XXX
!	10	Secondary Seal	Buna-N	J005526-214	J005526-214
11	1	Retainer	C-1213	J001942	J001942
!	12	Stem Seal Assembly	Buna-N -001, Viton -006	J001951-XXX	J001951-XXX
16	1	Bonnet	Cast Steel ASTM A487 4A or 2B Coatings	J001972-XXX Uncoated -030, Coated DEMCO 10 -031, DEMCO 11 -034, DEMCO 12 -035	J001977-XXX
#	18	Bonnet Seal	Buna-N Viton	J005526-438 J005531-438	J005526-439 J005531-439
#	19	Gate	Materials	J001926-00X AISI 4140 Nickel Plated -002 Cast SS ASTM A351 Grade CF8M Annealed -008	J001926-00X
20	1	Body Materials: ASTM A487 Grade 4 Class A or Grade 2 Class B Coatings (Except Weld End Bodies): DEMCO 10, DEMCO 11, DEMCO 12		Consult Factory For Body Part Numbers	
#	21	Seat Assembly	Material	J002207-0XX Inserts: -02X Steel AISI 1040 -08X 316 SS ASTM A351 Grade CF8M Annealed Elastomers: -0X1 Buna-N, -0X2 Viton, -0X3 Hypalon	J002207-0XX
22	1	Pin, Lock Handle	Steel	J005420-18732	J005420-18732
23	2	Bonnet Stud	ASTM A193 Grade B7	J002072	J002072
24	2	Bonnet Stud Nut	ASTM A194 Grade 2H	2709000-09-01	2709000-09-01
25	4	Body Stud	ASTM A193 Grade B7	J002074	***J024500
26	4	Body Stud Nut	ASTM A194 Grade 2H	2709000-10-01	***2709000-12-01

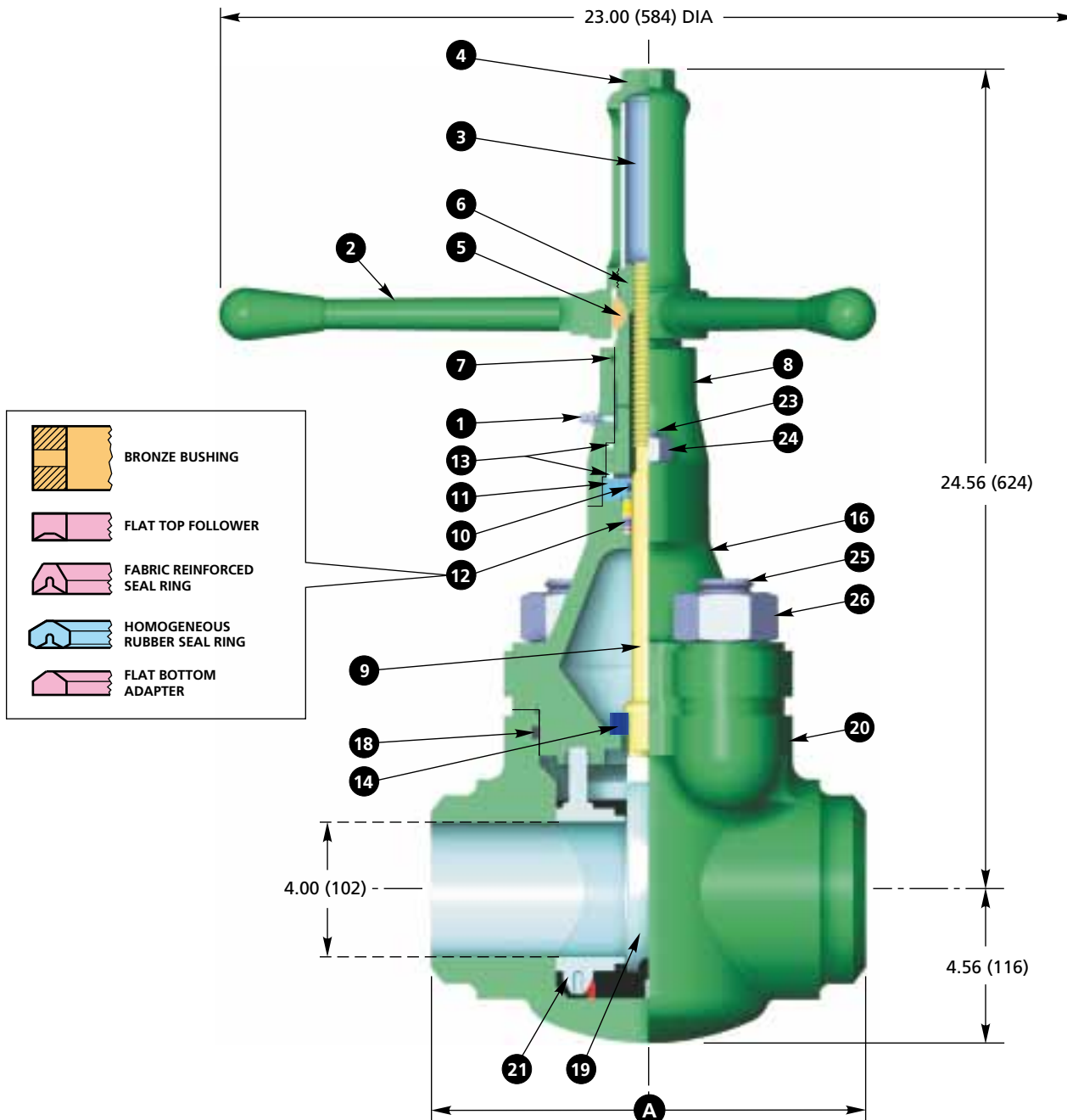
! Major Repair Kit J025091-10421 - One Each For One Year's Service.

# Minor Repair Kit J025091-00421.

\*\*\* Valves made prior to 1994 may use 7 Pitch Stud J002075 and Nut J053251-042

\*\* Available as 4 1/16 in. (103 mm) Casing Thread 2000 WP-J025020-4422110; 3000 WP-J024968-4422110.

**SERIES DM GATE VALVES - 5000 psi WP - 4 BOLT BONNET DESIGN**  
**4 in. (100 mm) FULL PORT**  
**5 in. (125 mm) & 6 in. (150 mm) REDUCED PORT**  
**FOR GENERAL SERVICE CONDITIONS**

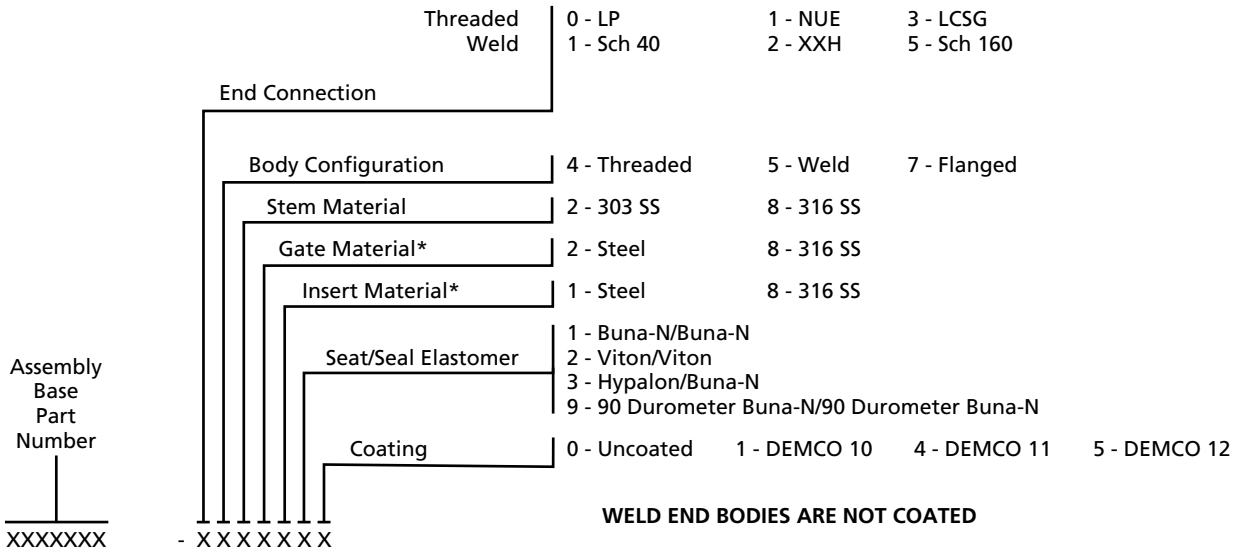


**DIMENSIONAL DATA & WEIGHTS**

DIMENSION	VALVE SIZE	4 in. (100 mm) FP 5000 WP - 7500 TEST	5 in. x 4 in. (125 mm x 100 mm) & 6 in. x 4 in. (150 mm x 100 mm) RP 5000 WP - 7500 TEST
A Threaded & Weld		13.00 (330)	13.00 (330)
TURNS TO OPEN		23	23
WEIGHT lb. (kg)		210 (95)	210 (95)



## SERIES DM GATE VALVES ASSEMBLY PART NUMBER



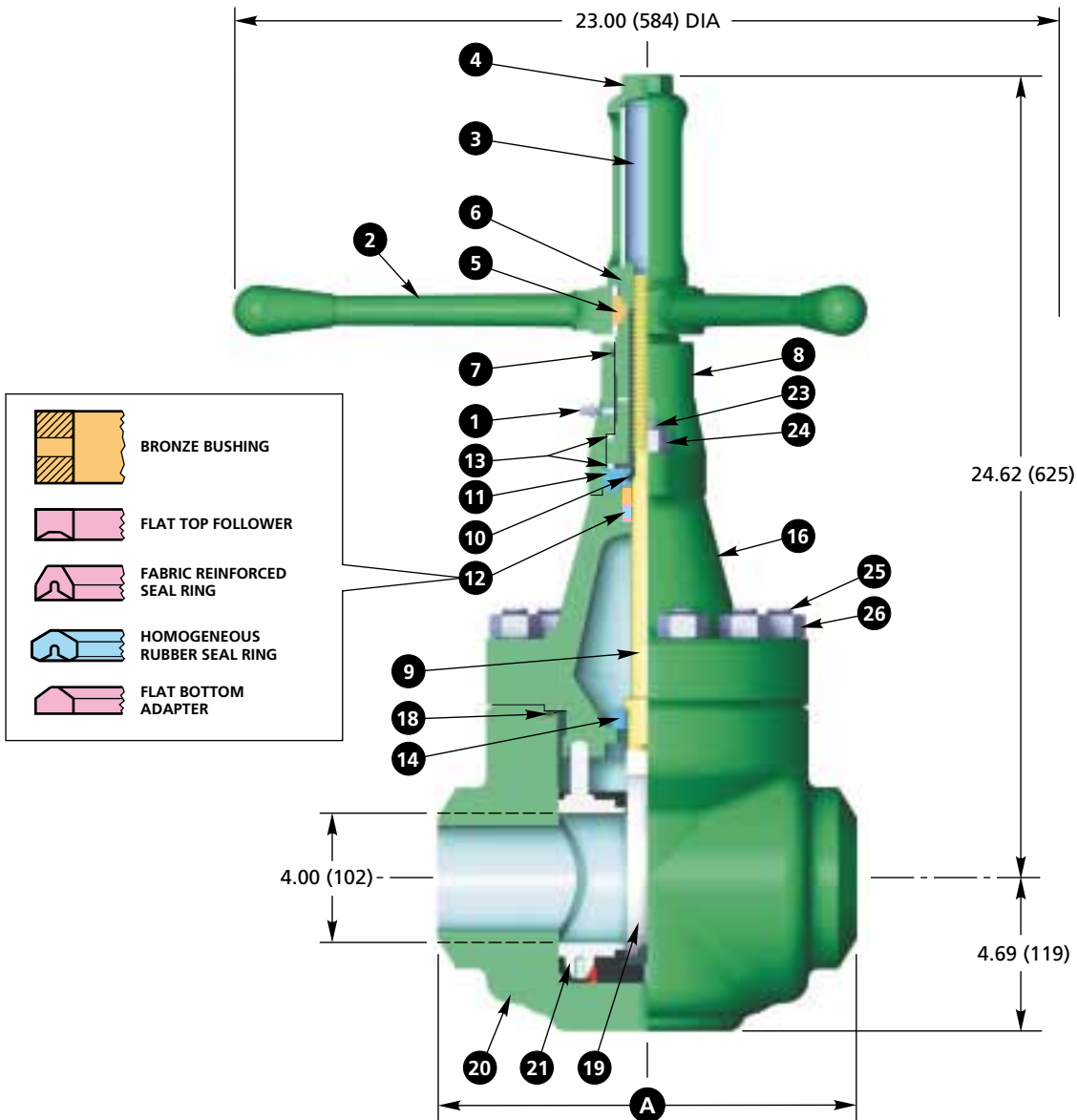
\*Consult Factory For Additional Trim Options.

### PARTS LIST

Key No.	Qty.	DESCRIPTION	VALVE SIZE	4 in. (100 mm) FP	5 in. (125 mm) & 6 in. (150 mm) RP 5000 WP - 7500 TEST
		<b>Assembly Base Number</b>	4 in. Full Port 5 in. Reduced Port - Weld 6 in. Reduced Port - Weld	J007420 J007421 J011928	J007420 J007421 J011928
1	1	Lube Fitting	Steel	J005195	J005195
2	1	Handle	ASTM A536 Ductile Iron	2139481-01	2139481-01
3	1	Tube	Clear Acrylic	J007459	J007459
4	1	Stem Cap	ASTM A536 Ductile Iron	J007411	J007411
!	5	Key	Steel	J005305-10016	J005305-10016
!	6	Stem Screw	C-1213	J007416	J007416
!	7	Stem Screw Seal	Buna-N	J005526-226	J005526-226
	8	Screw Housing	C-1029	J007418	J007418
!	9	Stem	303 SS -002, 316 SS -008	J007439-XXX	J007439-XXX
!	10	Secondary Seal	Buna-N	J005526-214	J005526-214
!	11	Retainer	C-1213	J007413	J007413
!	12	Stem Seal Assembly	Buna-N Viton 90 Durometer Buna-N	J001951-001 J001951-006 J022093-001	J001951-001 J001951-006 J022093-001
!	13	Bearing	TEFLON/Phenolic	J007426	J007426
!	14	Downstop Ring	303 SS	J007417	J007417
	16	Bonnet	ASTM A487 Grade 4 Class C or Grade 2 Class B Coatings	J007419-XXX Uncoated -030, Coated DEMCO 10 -031, DEMCO 11 -034, DEMCO 12 -035	J007419-XXX Uncoated -030, Coated DEMCO 10 -031, DEMCO 11 -034, DEMCO 12 -035
!#	18	Bonnet Seal	Buna-N Viton	J005520-439 J005531-439	J005520-439 J005531-439
!#	19	Gate	Materials	J001926-00X	J001926-00X AISI 4140 Nickel Plated -002 ASTM A351 Grade CF8M -008
	20	Body Materials: ASTM A487 Grade 4 Class A or Grade 2 Class B Coatings (Except Weld End Bodies): DEMCO 10, DEMCO 11, DEMCO 12			Consult Factory For Body Part Numbers
!#	21	Seat Assembly	Materials	J002207-0XX	J002207-0XX Inserts: -02X Steel AISI 1040 -08X 316 SS ASTM A351 Grade CF8M Annealed Elastomers: -0X1 Buna-N, -0X2 Viton, -0X3 Hypalon, -0X9 90 Durometer Buna-N
	23	Bonnet Stud	ASTM A193 Grade B7	J002072	J002072
	24	Bonnet Stud Nut	ASTM A194 Grade 2H	2709000-09-01	2709000-09-01
	25	Body Stud	ASTM A193 Grade B7	J002077	J002077
	26	Body Stud Nut	ASTM A194 Grade 2H	J001890	J001890

! Major Repair Kit J025091-11421 - One Each For One Year's Service.  
 # Minor Repair Kit J025091-01421.

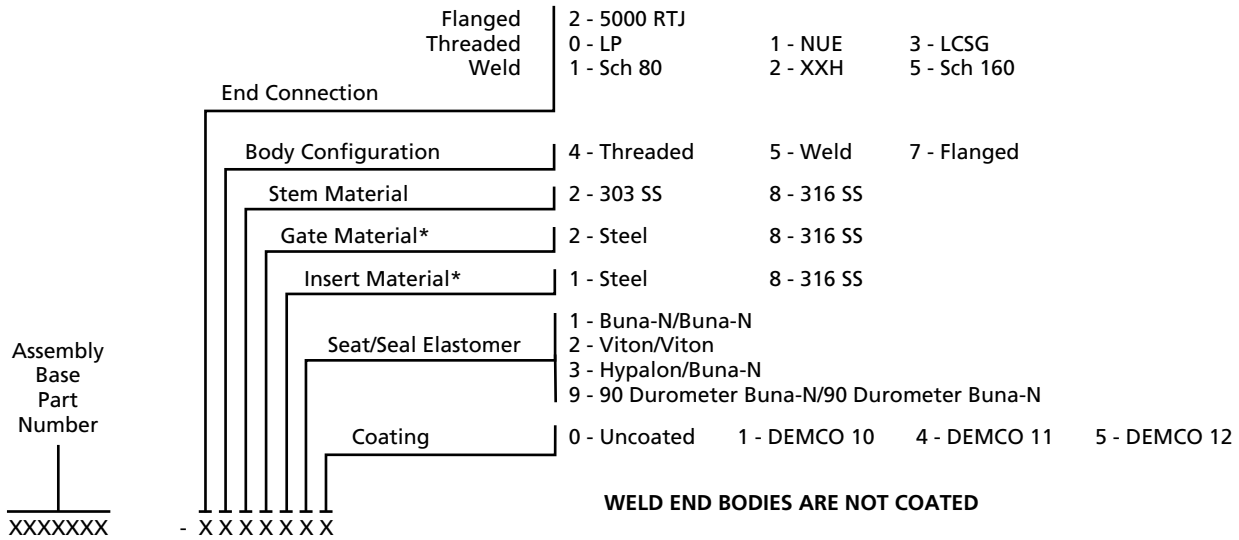
**SERIES DM GATE VALVES - 5000 psi WP - 12 BOLT BONNET DESIGN**  
**4 in. (100 mm) FULL PORT**  
**5 in. (125 mm) & 6 in. (150 mm) REDUCED PORT**  
**FOR GENERAL SERVICE CONDITIONS**



**DIMENSIONAL DATA & WEIGHTS**

DIMENSION	VALVE SIZE	4 in. (100 mm) FP 5000 WP - 7500 TEST	5 in. x 4 in. (125 mm x 100 mm) & 6 in. x 4 in. (150 mm x 100 mm) RP 5000 WP - 7500 TEST
A	Threaded & Weld	13.00 (330)	13.00 (330)
	Flanged - RTJ	18.00 (457)	-
	Flange O.D.	12.25 (311)	-
	Flange Bolts (QTY. - SIZE in.)	8 - 1 1/4	-
	Ring Number (RTJ)	R-39	-
<b>TURNS TO OPEN</b>		23	23
<b>WEIGHT lb. (kg)</b>			
	Threaded & Weld	210 (95)	210 (95)
	Flanged	330 (150)	330 (150)

## SERIES DM GATE VALVES ASSEMBLY PART NUMBER

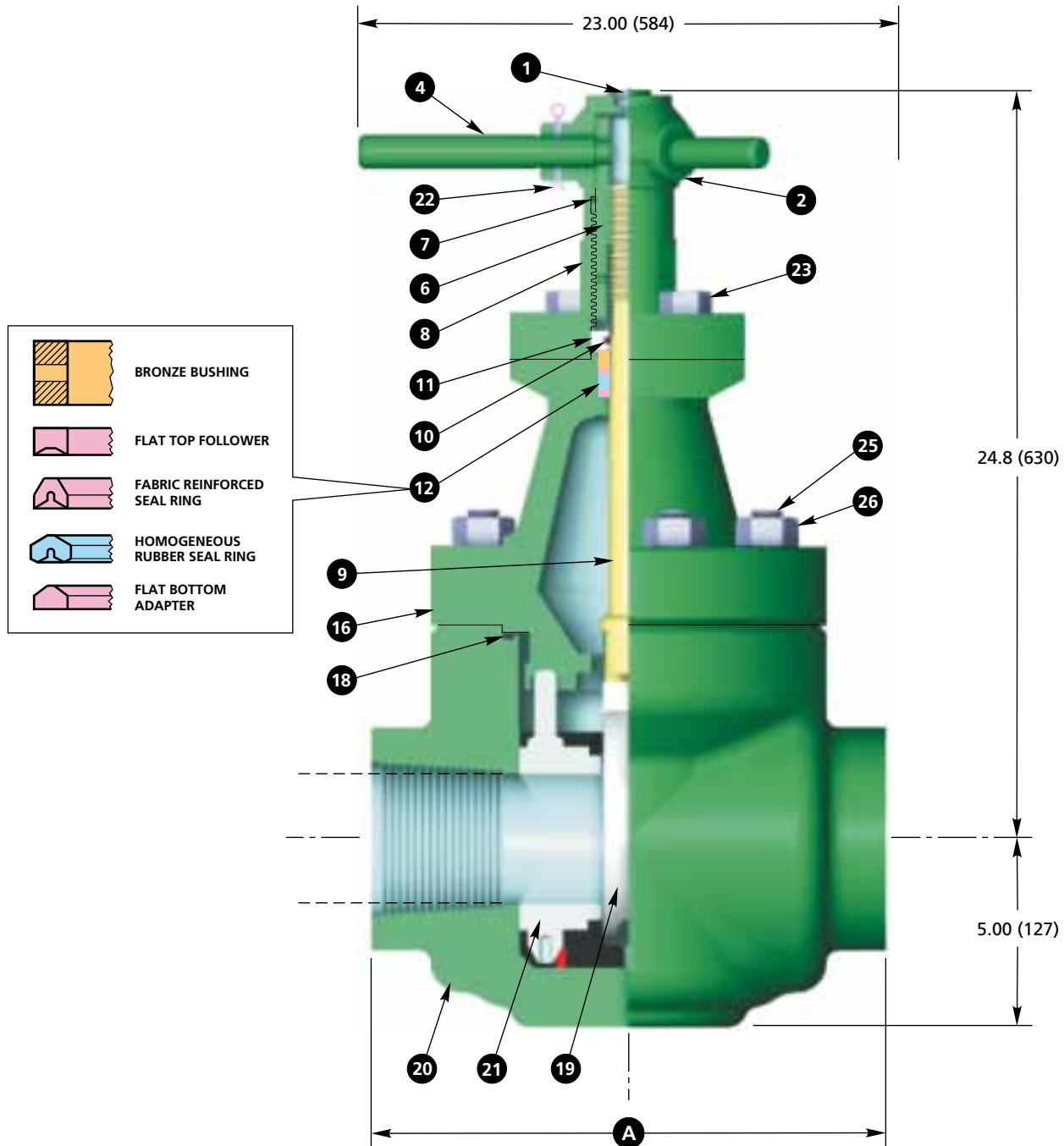


### PARTS LIST

Key No.	Qty.	DESCRIPTION	VALVE SIZE	4 in. (100 mm) FP	5 in. (125 mm) & 6 in. (150 mm) RP
		Assembly Base Number	4 in. Full Port 5 in. Reduced Port - Weld 6 in. Reduced Port - Weld	J017263 J017264 J017265	J017263 J017264 J017265
1	1	Lube Fitting	Steel	J005195	J005195
2	1	Handle	ASTM A536 Ductile Iron	2139481-01	2139481-01
3	1	Tube	Clear Acrylic	J007459	J007459
4	1	Stem Cap	ASTM A536 Ductile Iron	J007411	J007411
!	5	Key	Steel	J005305-10016	J005305-10016
!	6	Stem Screw	C-1213	J007416	J007416
!	7	Stem Screw Seal	Buna-N	J005526-226	J005526-226
!	8	Screw Housing	C-1029	J007418	J007418
!	9	Stem	303 SS -002, 316 SS -008	J007439-XXX	J007439-XXX
!	10	Secondary Seal	Buna-N	J005526-214	J005526-214
!	11	Retainer	C-1213	J007413	J007413
!	12	Stem Seal Assembly	Buna-N Viton 90 Durometer Buna-N	J001951-001 J001951-006 J022093-001	J001951-001 J001951-006 J022093-001
!	13	Bearing	TEFLON/Phenolic	J007426	J007426
!	14	Downstop Ring	303 SS	J007417	J007417
!	16	Bonnet	ASTM A487 Grade 4 Class C Coatings	J017289-XXX Uncoated -030, Coated DEMCO 10 -031, DEMCO 11 -034, DEMCO 12 -035	J017289-XXX
#	18	Bonnet Seal	Buna-N Viton	J005520-361 J005531-361	J005520-361 J005531-361
#	19	Gate	Materials	J001926-00X	J001926-00X AISI 4140 Nickel Plated -002 ASTM A351 Grade CF8M Annealed -008
!	20	Body Materials: ASTM A487 Grade 4 Class A Coatings (Except Weld End Bodies): DEMCO 10, DEMCO 11, DEMCO 12			Consult Factory For Body Part Numbers
#	21	Seat Assembly	Materials	J002207-0XX	J002207-0XX Inserts: -02X Steel AISI 1040 -08X 316 SS ASTM A351 Grade CF8M Annealed Elastomers: -0X1 Buna-N, -0X2 Viton, -0X3 Hypalon, -0X9 90 Durometer Buna-N
!	23	Bonnet Stud	ASTM A193 Grade B7	J002072	J002072
!	24	Bonnet Stud Nut	ASTM A194 Grade 2H	2709000-09-01	2709000-09-01
!	25	Body Stud	ASTM A193 Grade B7	J015432	J015432
!	26	Body Stud Nut	ASTM A194 Grade 2H	2709000-10-01	2709000-10-01

! Major Repair Kit J025091-11421 - One Each For One Year's Service.  
 # Minor Repair Kit J025091-01421.

**SERIES DM GATE VALVES - 1000 psi WP**  
**5 1/8 in. (130 mm) FULL PORT**  
**FOR GENERAL SERVICE CONDITIONS**

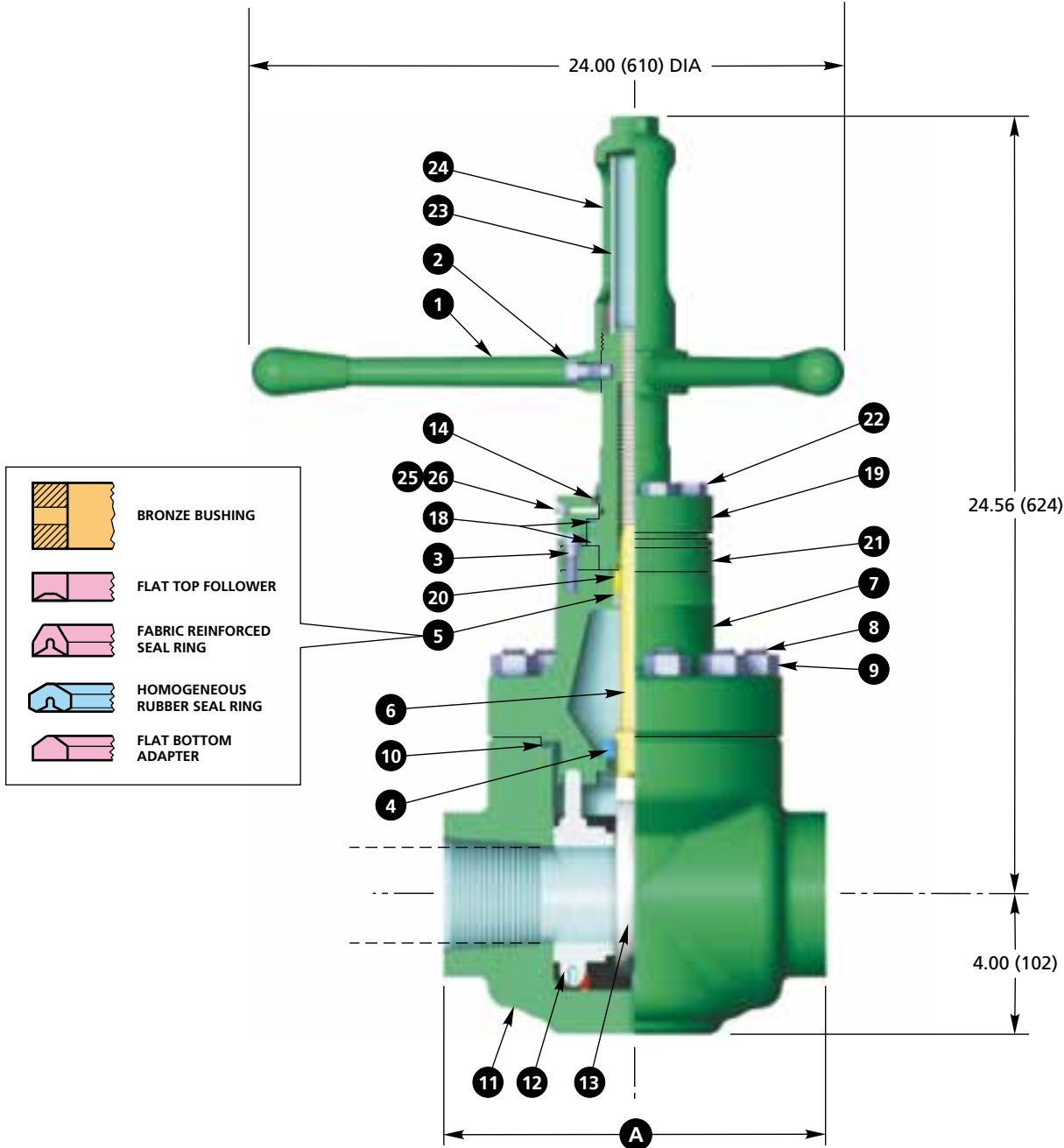


**DIMENSIONAL DATA & WEIGHTS**

DIMENSION	VALVE SIZE	5 1/8 in. (130 mm) FP 1000 WP - 2000 TEST
A Threaded		16.00 (406)
<b>WEIGHT lb. (kg)</b>		
Threaded		210 (95)



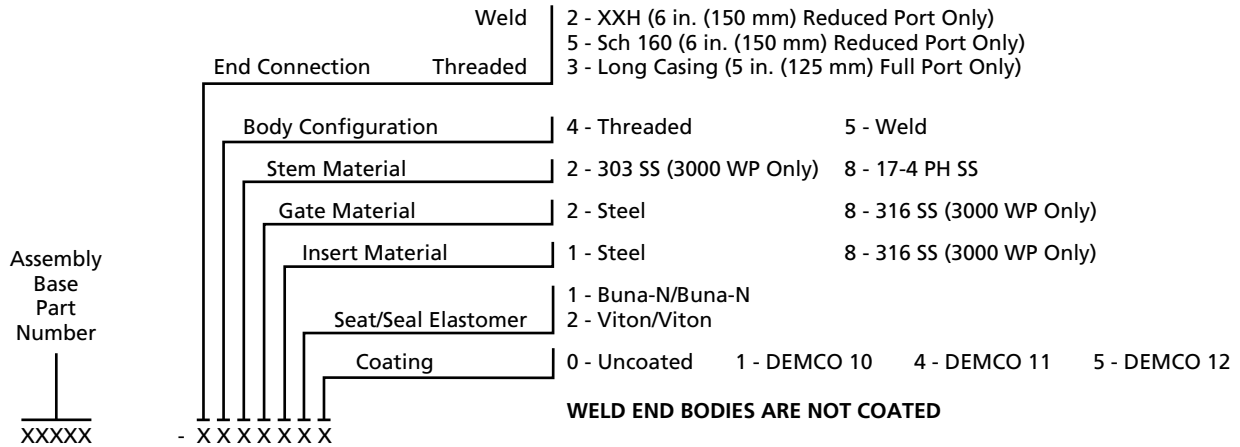
**SERIES DM GATE VALVES - 3000 & 5000 psi WP**  
**5 1/8 in. (130 mm) FULL PORT**  
**6 in. (150 mm) x 5 1/8 in. (130 mm) REDUCED PORT**  
**FOR GENERAL SERVICE CONDITIONS**



**DIMENSIONAL DATA & WEIGHTS**

DIMENSION	VALVE SIZE	5 1/8 in. (130 mm) FP & 6 in. x 5 1/8 in. (150 mm x 130 mm) RP
		3000 & 5000 WP - 6000 & 7500 TEST
A Threaded & Weld		16.00 (406)
WEIGHT lb. (kg)		335 (152)

## SERIES DM GATE VALVES ASSEMBLY PART NUMBER

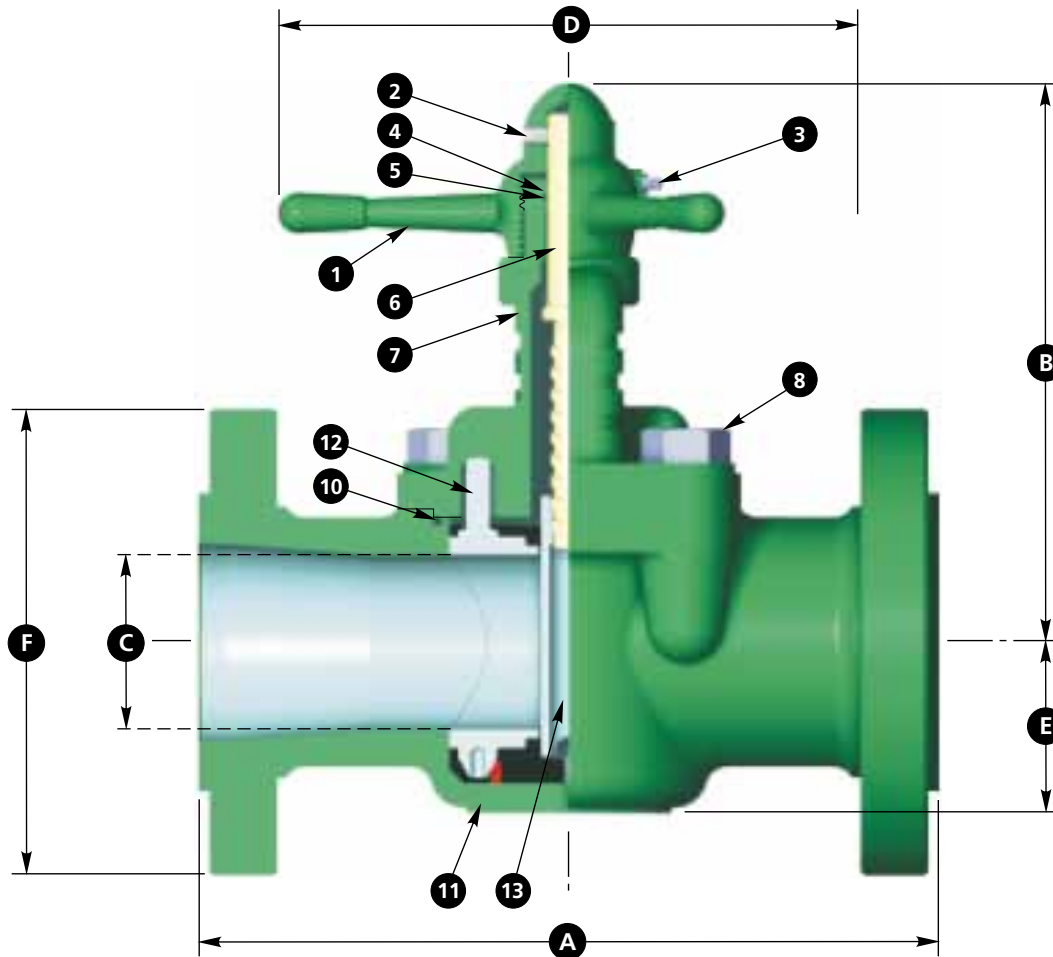


### PARTS LIST

Key No.	Qty.	DESCRIPTION	VALVE SIZE	5 1/8 in. (130 mm) FP		6 in. (150 mm) x 5 1/8 in. (130 mm) RP	
				RATING	3000 WP - 6000 TEST	5 1/8 in. (130 mm) FP	5000 WP - 7500 TEST
		Assembly Base Number	Full Port - Threaded Reduced Port - Weld	J021954 -		J023925 J025086	
1	1	Handwheel	Ductile Iron ASTM A536 Grade 65-45-12			2227656-01	
2	1	Screw - Handwheel	Steel AISI C1018			J014832	
3	4	Screw - Retainer	Alloy Steel			J005665-32028	
4	1	Downstop Ring	Steel AISI C1018			J021942	
*5	1	Stem Seal Assembly w/Bushing	-001 Buna-N -006 Viton			J015853-00X	
6	1	Stem	-002 303 SS -009 17-4 pH SS	J021943-00X			J021943-009
7	1	Bonnet	Cast Steel ASTM A487 Grade 4 Class C Coatings	Uncoated -030, Coated DEMCO 10 -031, DEMCO 11 -034, DEMCO 12 -035		J021944-03X	
8	12	Body Stud	Steel ASTM A193 Grade B7			J015432	
9	12	Body Stud Nut	Steel ASTM A194 Grade 2H			2709000-10-01	
*10	1	Bonnet Seal	Buna-N Viton			J005526-367 J005531-367	
11	1	Body Materials: ASTM A487 Grade 4 Class A Coatings (Except Weld End Bodies): DEMCO 10, DEMCO 11, DEMCO 12				Consult Factory For Body Part Numbers	
*12	1	Seat Assembly		J021948-011 J021948-012 J021948-081 J021948-082		J021948-019 - - -	
		Materials		Inserts: -01X Steel AISI 1040, -08X 316 SS (3000 WP Only) Elastomers: -0X1 Buna-N, -0X2 Viton, -0X9 90 Duro Buna-N			
*13	1	Gate -002 Steel AISI 4140 Nickel Plated, -008 316 SS (3000 WP Only)		J021952-00X			J021952-002
14	1	Stem Screw Seal	Buna-N			J005526-228	
18	1	Stem Screw w/Bearings	Steel AISI C1018, Steel Bearings AL. BRZ. ASTM B148 Alloy 955, Steel Bearings	J023888 -			- J024526
19	1	Housing	Steel AISI C1018			J015332	
20	1	Secondary Seal	Buna-N			J005526-216	
21	1	Retainer	Steel AISI C1018			J015330	
22	4	Screw - Housing	Steel			J005650-32056	
23	1	Tube	Clear Acrylic			J012852	
24	1	Stem Cap	Ductile Iron ASTM A536 Grade 65-45-12			J015855	
25	1	Lube Fitting	Steel			J005195	
26	1	Relief Fitting	Steel			J051971	

\* Recommended Spare Parts - One Each For One Year's Service.

**SERIES DM GATE VALVES - ASME CLASS 400 & 600**  
**1 1/2 in. & 2 in. (40 mm & 50 mm) FULL PORT**  
**2 in. (50 mm) REDUCED PORT**  
**FOR GENERAL SERVICE CONDITIONS**

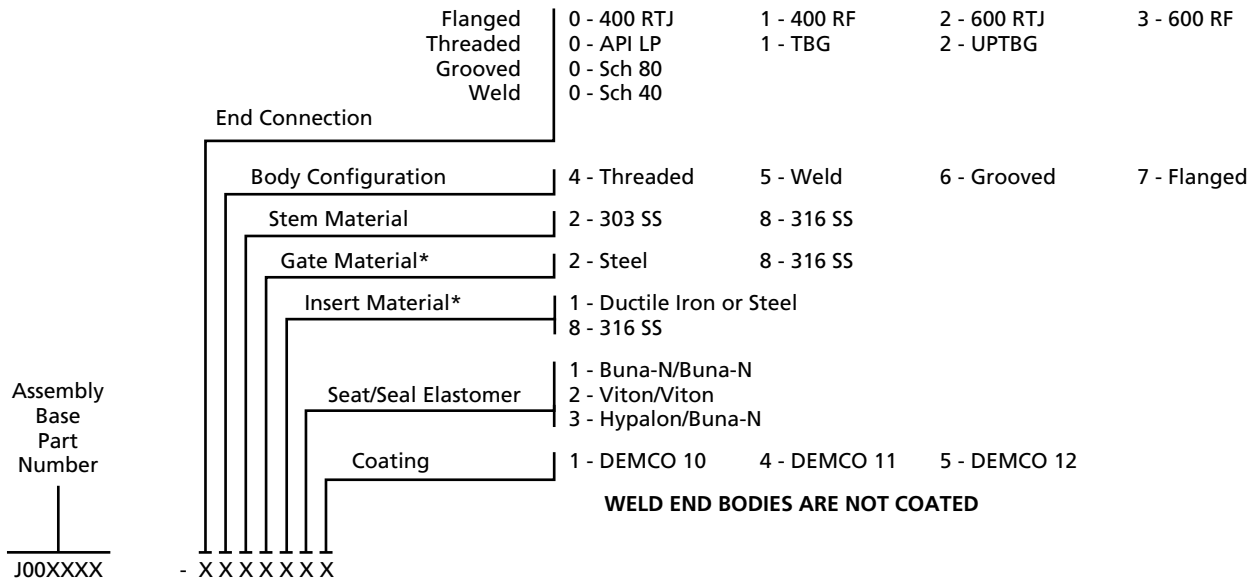


**DIMENSIONAL DATA & WEIGHTS**

DIMENSION	VALVE SIZE	1 1/2 in. (40 mm) FP	2 in. (50 mm) FP	2 in. (50 mm) FP
	ASME CLASS	2 in. x 1 1/2 in. (50 mm x 40 mm) RP 600	400	600
A	Full Port - Threaded, Weld, Grooved	7.75 (197)	8.88 (226)	8.88 (226)
	Reduced Port - Threaded	-	-	7.75 (197)
	Flanged - RF	-	11.50 (292)	11.50 (292)
	Flanged - RTJ	-	11.62 (295)	11.62 (295)
B	(Open) - Full Port	7.75 (197)	8.75 (222)	8.75 (222)
	(Open) - Reduced Port	-	-	7.75 (197)
C	(Seat Bore) - Full Port	1.62 (41)	2.00 (50)	2.00 (50)
	(Seat Bore) - Reduced Port	-	-	1.62 (41)
D	Full Port	9.50 (241)	11.00 (279)	11.00 (279)
	Reduced Port	-	-	9.50 (241)
E	Full Port	2.00 (50)	2.19 (56)	2.19 (56)
	Reduced Port	-	-	2.00 (50)
F	Flange OD	-	6.50 (165)	6.50 (165)
	Flange Bolts (QTY. - SIZE in.)	-	8 - 5/8	8 - 5/8
	Ring Number (RTJ)	-	R-23	R-23
<b>WEIGHT lb. (kg)</b>				
	Full Port - Threaded, Weld, Grooved	20 (9)	24 (11)	26 (12)
	Reduced Port - Threaded	-	-	20 (9)
	Full Port - Flanged	-	42 (19)	44 (20)
	Reduced Port - Flanged	-	-	40 (18)



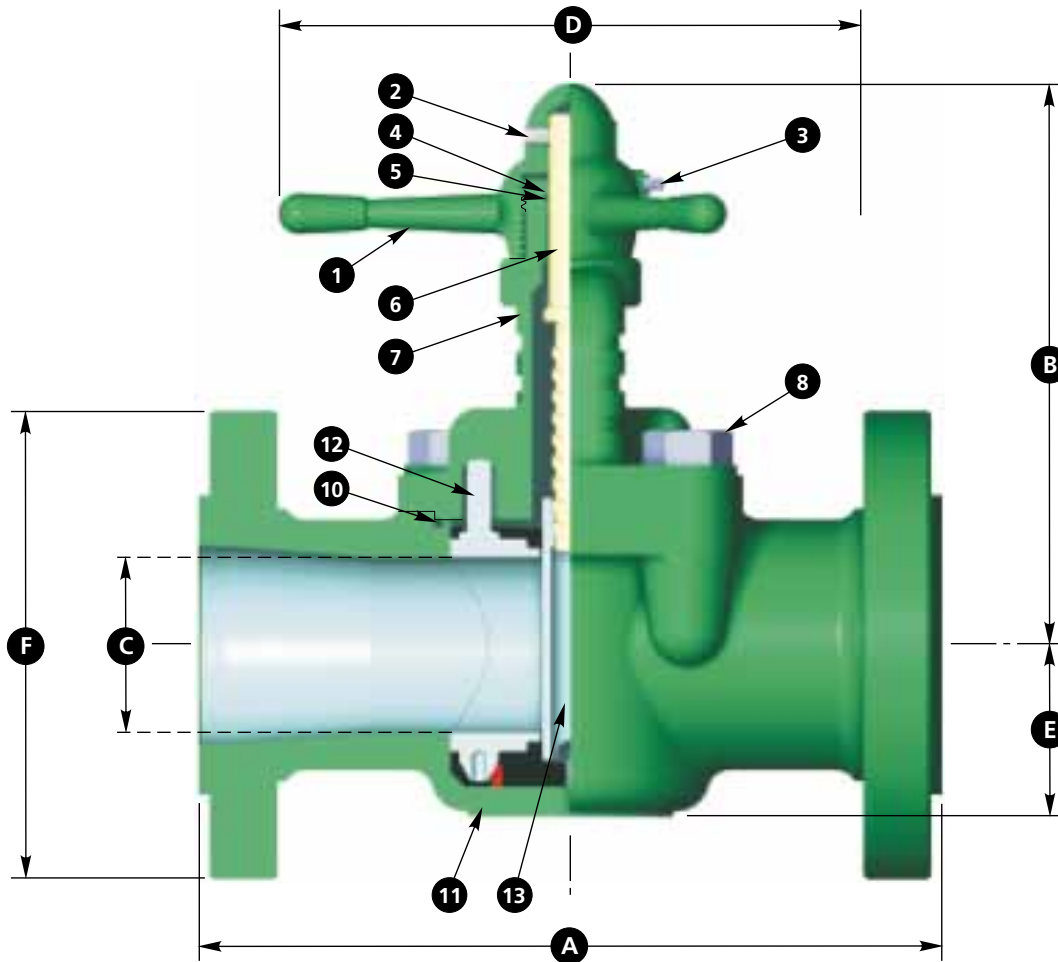
## SERIES DM GATE VALVES ASSEMBLY PART NUMBER



### PARTS LIST

Key No.	Qty.	DESCRIPTION	VALVE SIZE	ASME CLASS		
				1 1/2 in. (40 mm) FP	2 in. (50 mm) FP	2 in. (50 mm) FP
			2 in. x 1 1/2 in. RP			
			(50 mm x 40 mm) RP			
			600	400	600	
		Assembly Base Part Number	Full - Threaded	J003938	J001071	J001072
			Weld	-	J001091	J001092
			Grooved	-	J001081	J001082
			Flanged	-	J001061	J001062
			Reduced - Threaded	J003939	-	-
1	1	Handle	Ductile Iron ASTM A536 Grade 65-45-12	J004375	J001276	J001276
2	1	Stem Pin	Spring Steel	J005445-25020	J005445-37528	J005445-37528
3	1	Lube Fitting	Steel	J005195	J005195	J005195
4	1	Back-Up Ring	Chrome Leather	J005532-115	J005532-211	J005532-211
5	1	Stem Seal	Buna-N	J005526-115	J005526-211	J005526-211
			Viton	J005531-115	J005531-211	J005531-211
6	1	Stem	303 SS -002, 316 SS -008	J004376-XXX	J001279-XXX	J001279-XXX
7	1	Bonnet	Ductile Iron ASTM A395	-	J001277-01X	-
			Steel ASTM A216 Grade WCB	J004330-02X	-	J001277-02X
			Coatings	Uncoated -0X0, Coated DEMCO 10 -0X1, DEMCO 11 -0X4, DEMCO 12, -0X5		
8	4	Body Screw	SAE Grade 5	J005651-32024	J005651-32024	J005651-32024
10	1	Bonnet Seal	Buna-N	J005526-234	J005526-239	J005526-239
			Viton	J005531-234	J005531-239	J005531-239
11	1	Body Materials:				
		2 in. (50 mm) Full Class 400 Threaded, Grooved and Flanged: Ductile Iron ASTM A395				
		2 in. (50) Full Class 600 Threaded, Weld, and Grooved: Forged Steel AISI C1029 Normalized			Consult Factory For	
		All Others: Steel, ASTM A216 Grade WCB			Body Part Numbers	
		Coatings (Exept Weld End Bodies): DEMCO 10, DEMCO 11, DEMCO 12				
12	1	Seat	Materials	J004081-0XX	J001876-0XX	J001876-0XX
				Inserts: -01X Ductile Iron ASTM A395 or Steel AISI 1040		
				-08X Stainless Steel ASTM A351 Grade CF8M Annealed		
				Elastomers: -0X1 Buna-N, -0X2 Viton, -0X3 Hypalon		
13	1	Gate	Materials: -002 Steel, Nickel Plated	J004393-00X	J001275-00X	J001275-00X
			-008 Stainless Steel	AISI C1144	AISI C1045	AISI C1045
				AISI 316 Annealed	ASTM A351 CF8M Annealed	

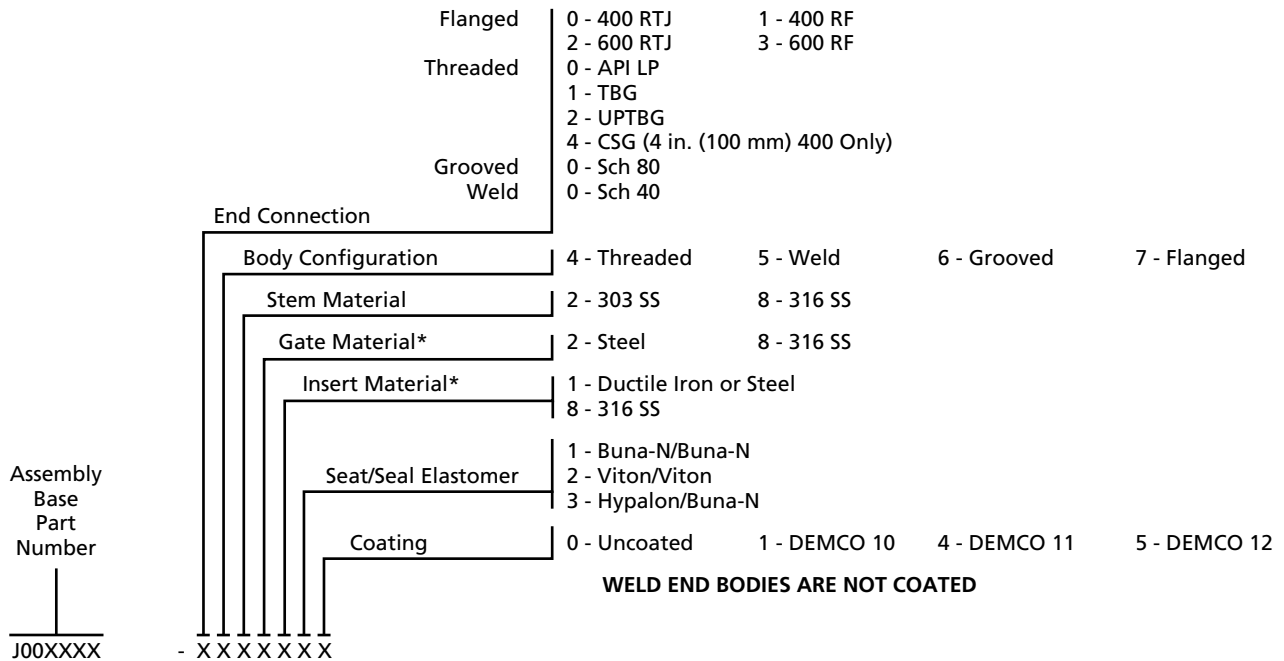
**SERIES DM GATE VALVES - ASME CLASS 400 & 600**  
**2 1/2 in. (65) THROUGH 6 in. (150 mm) FULL PORT**  
**8 in. (200 mm) REDUCED PORT**  
**FOR GENERAL SERVICE CONDITIONS**



**DIMENSIONAL DATA & WEIGHTS**

VALVE SIZE in. (mm)	2 1/2 (65) FP	3 (80) FP	4 (100) FP		6 (150) FP		8 x 6 (200 x 150) RP	
DIMENSION	ASME CLASS	400 & 600	400 & 600	400	600	400	600	600
A	Threaded, Weld, Grooved	10.00 (254)	10.25 (260)	11.88 (302)	11.88 (302)	15.50 (394)	15.50 (394)	-
	Flanged - RF	13.00 (330)	14.00 (356)	-	17.00 (432)	19.50 (495)	22.00 (559)	26.00 (660)
	Flanged - RTJ	13.12 (333)	14.12 (359)	-	17.12 (435)	19.62 (498)	22.12 (562)	26.12 (663)
B	(Open) - Full Port	10.62 (270)	11.38 (290)	13.88 (353)	13.88 (353)	19.25 (489)	19.25 (489)	-
	(Open) - Reduced Port	-	-	-	-	-	-	19.25 (489)
C	(Seat Bore) - Full Port	2.50 (64)	3.00 (76)	4.00 (102)	4.00 (102)	6.00 (152)	6.00 (152)	-
	(Seat Bore) - Reduced Port	-	-	-	-	-	-	6.00 (152)
D	Full Port	12.62 (321)	12.62 (321)	14.25 (362)	14.25 (362)	24.00 (610)	24.00 (610)	-
	Reduced Port	-	-	-	-	-	-	24.00 (610)
E	Full Port	2.75 (70)	3.19 (81)	3.94 (100)	3.94 (100)	5.62 (143)	5.62 (143)	-
	Reduced Port	-	-	-	-	-	-	5.62 (143)
F	Flange OD	7.50 (191)	8.25 (210)	-	10.75 (274)	12.50 (318)	14.00 (356)	16.50 (419)
	Flange Bolts (QTY. - SIZE in.)	8 - 3/4	8 - 3/4	-	8 - 5/8	12 - 7/8	12 - 1	12 - 1 1/8
	Ring Number (RTJ)	R-26	R-31	-	R-37	R-45	R-45	R-49
<b>WEIGHT lb. (kg)</b>								
	FP - Threaded, Weld, Grooved	48 (22) 50 (23)	58 (26) 60 (27)	93 (42)	98 (44)	300 (136)	310 (141)	-
	FP - Flanged	70 (32) 74 (34)	90 (41) 96 (44)	-	176 (80)	411 (186)	428 (194)	-
	RP - Flanged	-	-	-	-	-	-	590 (268)

## SERIES DM GATE VALVES ASSEMBLY PART NUMBER

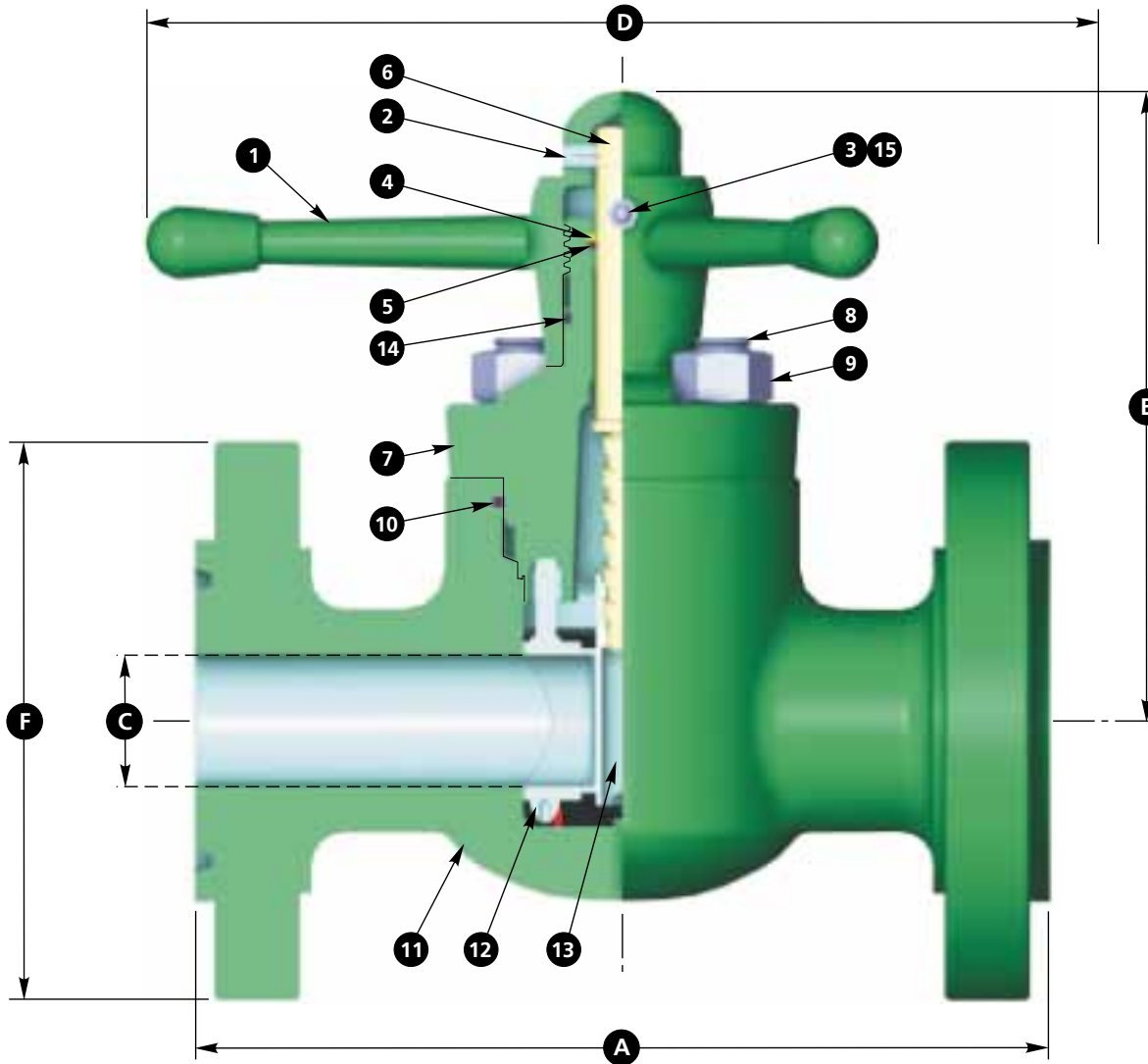


## PARTS LIST

Key No.	Qty.	DESCRIPTION	VALVE SIZE in. (mm)	2 1/2 (65) FP		3 (80) FP		4 (100) FP•		6 (150) FP 8 (200) RP	
				ASME CLASS	400	600	400	600	400	600	400
		Assembly Base Part Number	FP - Threaded	J001073	J001074	J001075	J001076	J001077	J001078	J001079	J001080
			- Weld	J001093	J001094	J001095	J001096	J001097	J001098	J001099	J001100
			- Grooved	J001083	J001084	J001085	J001086	J001087	J001088	J001089	J001090
			- Flanged	J001063	J001064	J001065	J001066	-	J001068	J001069	J001070
			RP - Flanged	-	-	-	-	-	-	-	J003945
1	1	Handle	Ductile Iron ASTM A536 Grade 65-45-12	J001290		J001290		J001849		J001850	
2	1	Stem Pin	Spring Steel	J005445-37528		J005445-37528		J005445-37532		J005445-37532	
3	1	Lube Fitting	Steel	J005195		J005195		J005195		J005195	
4	1	Back-Up Ring	Chrome Leather	J005532-212		J005532-212		J005532-214		J005532-214	
5	1	Stem Seal	Buna-N	J005526-212		J005526-212		J005526-214		J005526-214	
			Viton	J005531-212		J005531-212		J005531-214		J005531-214	
6	1	Stem	303 SS -002, 316 SS -008	J001291-XXX		J001291-XXX		J001853-XXX		J001854-XXX	
7	1	Bonnet	ASTM A395 Ductile Iron	-		J001856-01X	-	J001857-01X	-	J001858-01X	-
			ASTM A216 Grade WCB	J001293-02X		J001856-02X	-	J001857-02X	-	J001858-02X	-
			Coatings			Uncoated -0X0, Coated DEMCO 10 -0X1, DEMCO 11 -0X4, DEMCO 12 -0X5					
8	4	Body Stud	ASTM A193 Grade B7	J002066		J001861		J001862		J001863	
9	4	Body Stud Nut	ASTM A194 Grade 2H	2709000-08-01		2709000-09-01		2709000-10-01		2709000-14-01	
10	1	Bonnet Seal	Buna-N	J005526-245		J005526-249		J005526-258		J005526-446	
			Viton	J005531-245		J005531-249		J005531-258		J005531-446	
11	1	Body Materials:									
		Class 400 3 in. (80 mm) Full Port through 6 in. (150 mm)									
		Full Port Threaded, Grooved and Flanged:									
		Ductile Iron ASTM A395						Consult Factory For			
		All Others: Steel, ASTM A216 Grade WCB						Body Part Numbers			
		Coatings (Except Weld End Bodies):									
		DEMCO 10, DEMCO 11, DEMCO 12									
12	1	Seat		J001877-0XX		J001878-0XX		J002207-0XX		J001880-0XX	
		Materials									
		Inserts: -01X Ductile Iron ASTM A395 or Steel AISI 1040 2 1/2 in., 3 in., 6 in.									
		-02X Steel AISI 1040 4 in.									
		-08X Stainless Steel ASTM A351 Grade CF8M Annealed									
		Elastomers: -0X1 Buna-N, -0X2 Viton, -0X3 Hypalon									
13	1	Gate		J001881-00X		J001882-00X		J001883-00X		J001884-00X	
		Materials									
		-002 Steel AISI 1045, Nickel Plated, -008 316 SS Annealed									

• Available as 4 1/16 in. (103 mm) Casing Thread ASME CLASS 400-J024969-4422110.

**SERIES DM GATE VALVES**  
**ASME CLASS 900, 2 in. (50 mm) THROUGH 6 in. (150 mm) FULL PORT**  
**ASME CLASS 1500, 2 in. (50) THROUGH 3 in. (80 mm) FULL PORT**  
**FOR GENERAL SERVICE CONDITIONS**

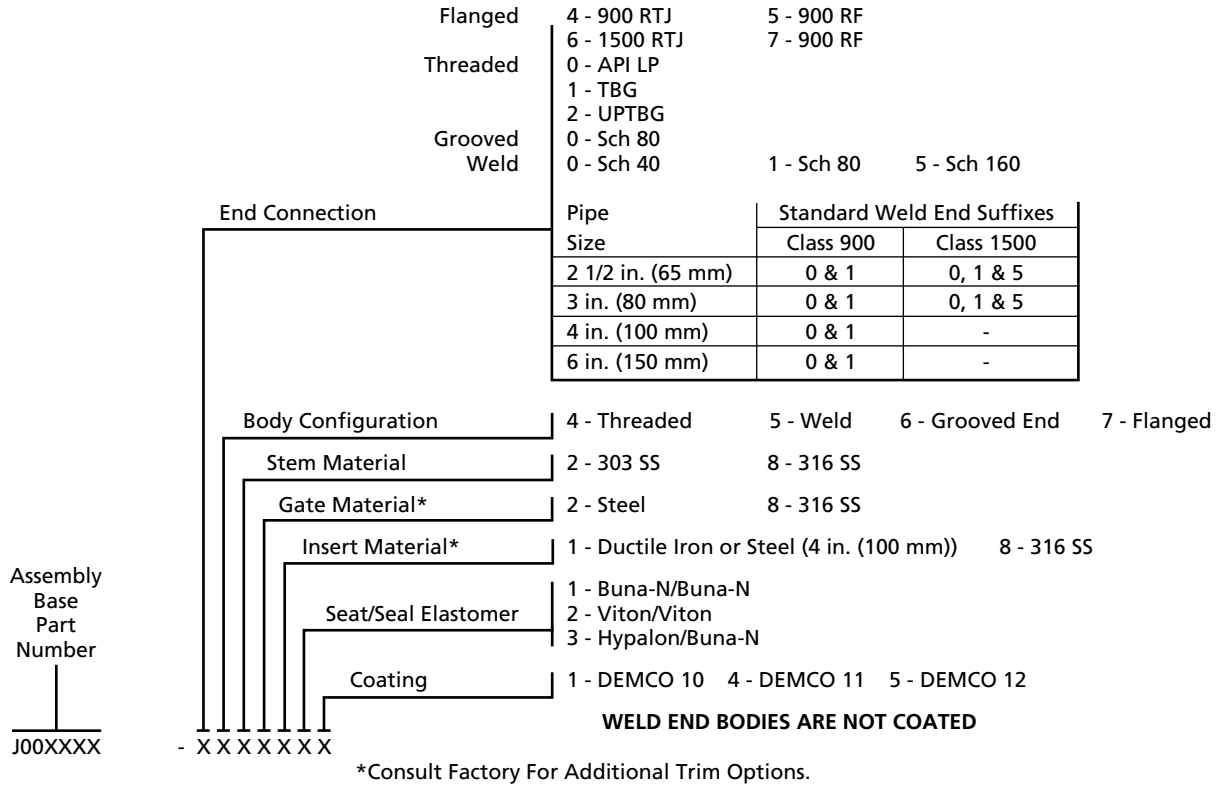


**DIMENSIONAL DATA & WEIGHTS**

DIMENSION	VALVE SIZE ASME CLASS	2 in. (50 mm) FP 1500	2 1/2 in. (65 mm) FP 900 1500	3 in. (80 mm) FP 900 1500	4 in. (100 mm) FP 900	6 in. (150 mm) FP 900
A	Threaded, Weld, Grooved N/A*	-	9.75 (248)	11.00 (279)	11.00 (279)	20.00 (508)
	Flanged - RF	14.50 (368)	16.50 (419)	15.00 (381)	18.50 (470)	24.00 (610)
	Flanged - RTJ	14.62 (371)	16.62 (422)	15.12 (384)	18.62 (473)	24.12 (613)
B	Open	9.88 (251)	22.88 (581)	12.75 (324)	12.75 (324)	15.00 (381)
C	Seat Bore	2.00 (51)	2.50 (64)	3.00 (76)	3.00 (76)	4.00 (102)
D		14.50 (368)	19.00 (483)	19.00 (483)	19.00 (483)	19.00 (483)
F	Flange OD	8.50 (216)	9.62 (244)	9.50 (241)	10.50 (267)	11.50 (292)
	Flange Bolts (QTY. - SIZE in.)	8 - 7/8	8 - 1	8 - 7/8	8 - 1 1/8	8 - 1 1/8
	Ring Number (RTJ)	R-24	R-27	R-31	R-35	R-37
WEIGHT lb. (kg)	Threaded, Weld, Grooved N/A*	48 (22)	87 (39)	95 (43)	113 (51)	325 (147)
	Flanged	100 (45)	170 (77)	160 (73)	205 (93)	540 (245)

\* Refer to 2000, 3000, 5000 Threaded, Weld and Grooved End on pages 16 & 17.

## SERIES DM GATE VALVES ASSEMBLY PART NUMBER

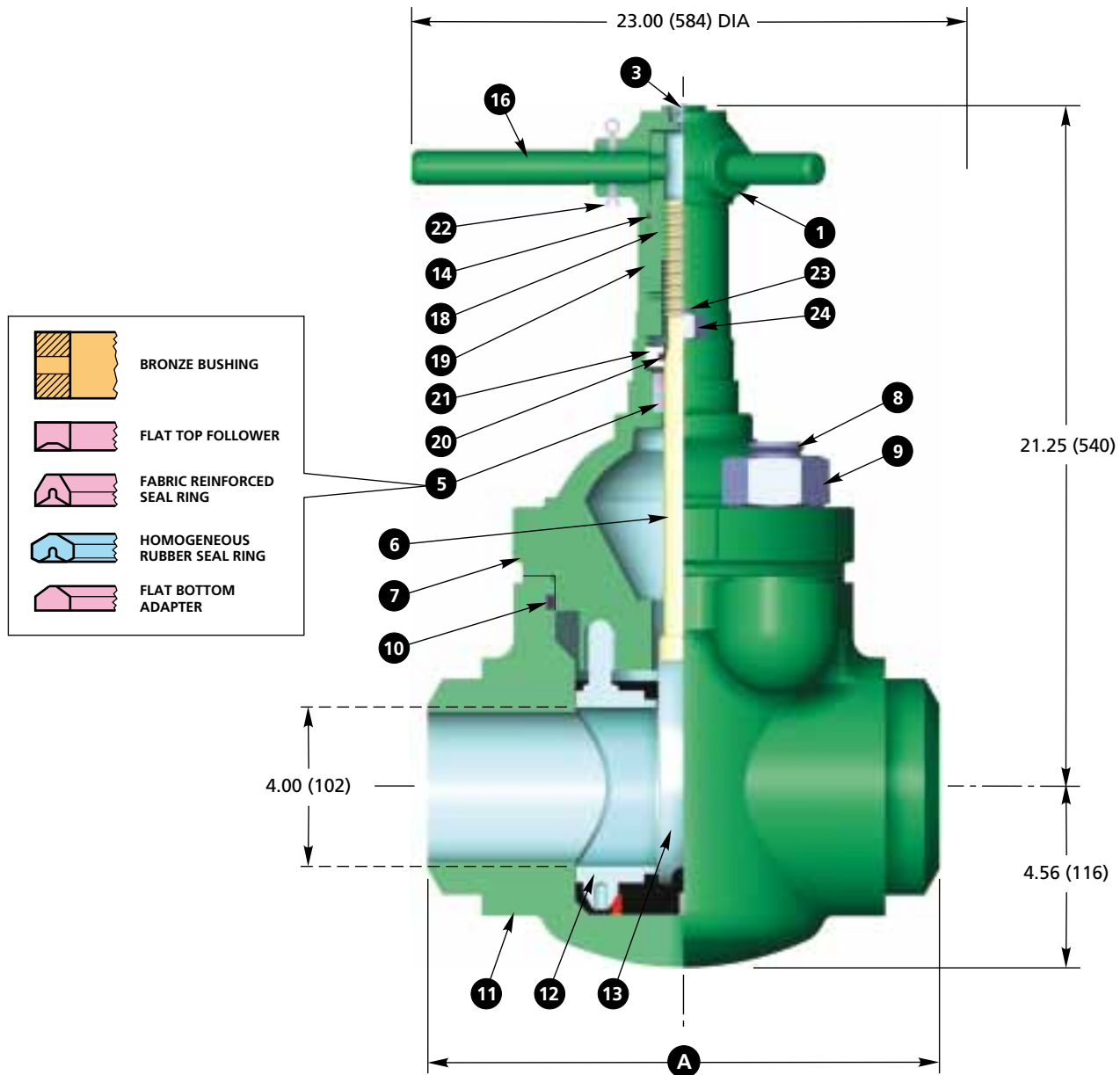


### PARTS LIST

Key No.	Qty.	DESCRIPTION	VALVE SIZE ASME CLASS	2 in. (50 mm)		2 1/2 in. (65 mm)		3 in. (80 mm)		4 in. (100 mm)		6 in. (150 mm)
				FP 900	FP 1500	FP 900	FP 1500	FP 900	FP 1500	FP 900	FP 900	
Assembly Base Part Number				J003947	J003948	J003951	J003952	J003953	J003957	J003955	J003999	
1	1	Handle	Ductile Iron ASTM A536 Grade 65-45-12	J023661		J0018195		J0018195		J023663	J001850	
2	1	Stem Pin	Spring Steel	J005445-37528		J005445-37528		J005445-37528		J005445-37532		
3	1	Lube Fitting	Steel	J005195		J005195		J005195		J005195		
4	1	Back-Up Ring	Chrome Leather	J005532-211		J005532-212		J005532-212		J005532-214		
*5	1	Stem Seal	Buna-N	J005526-211		J005526-212		J005526-212		J005526-214		
			Viton	J005531-211		J005531-212		J005531-212		J005531-214		
6	1	Stem	303 SS -002, 316 SS -008	J004395-XXX		J004396-XXX		J004396-XXX		J004397-00X	J001854-00X	
7	1	Bonnet	ASTM A487 Grade 4 Class A Coatings	J004320-03X		J004322-03X		J004324-03X	J004326-03X	J004328-03X	J001780-03X	
				Uncoated -030, Coated DEMCO 10 -031, DEMCO 11 -034, DEMCO 12 -035								
8	4	Body Stud		J002072		J002074		J002072	J002074	J002074	J002077	
9	4	Body Stud Nut	ASTM A194 Grade 2H	2709000-09-01		2709000-10-01		2709000-09-01	2709000-10-01	2709000-10-01	J001890	
*10	1	Bonnet Seal	Buna-N	J005526-342		J005526-427		J005526-431	J005526-433	J005526-438	J005526-446	
			Viton	J005531-342		J005531-427		J005531-431	J005531-433	J005531-438	J005531-446	
11	1	Body materials:	ASTM A487 Grade 4 Class A or Grade 2 Class B	Consult Factory For Body Part Numbers								
*12	1	Seat Assembly	Materials	J001876-0XX		J001877-0XX		J001878-0XX		J002207-0XX	J001880-0XX	
			Inserts: -01X Ductile Iron ASTM A395 or Steel AISI 1040 -08X 316 SS ASTM A351 Grade CF8M Annealed Elastomers: -0X1 Buna-N, -0X2 Viton, -0X3 Hypalon									
*13	1	Gate	Materials	J001275-XXX		J001881-XXX		J001882-00X		J001883-00X	J001884-00X	
			-002 Nickel Plated Steel AISI 4145 -008 316 SS Wrought Type - 2 in. (50 mm) Only ASTM A351 CF8M - Others									
14	1	Screw Seal	Buna-N	J005526-222		J005526-234		J005526-224		J005526-226	-	
15	1	Relief Fitting	Steel	J005197		J005197		J005197		J005197	-	

\* Recommended Spare Parts - One Each For One Year's Service.

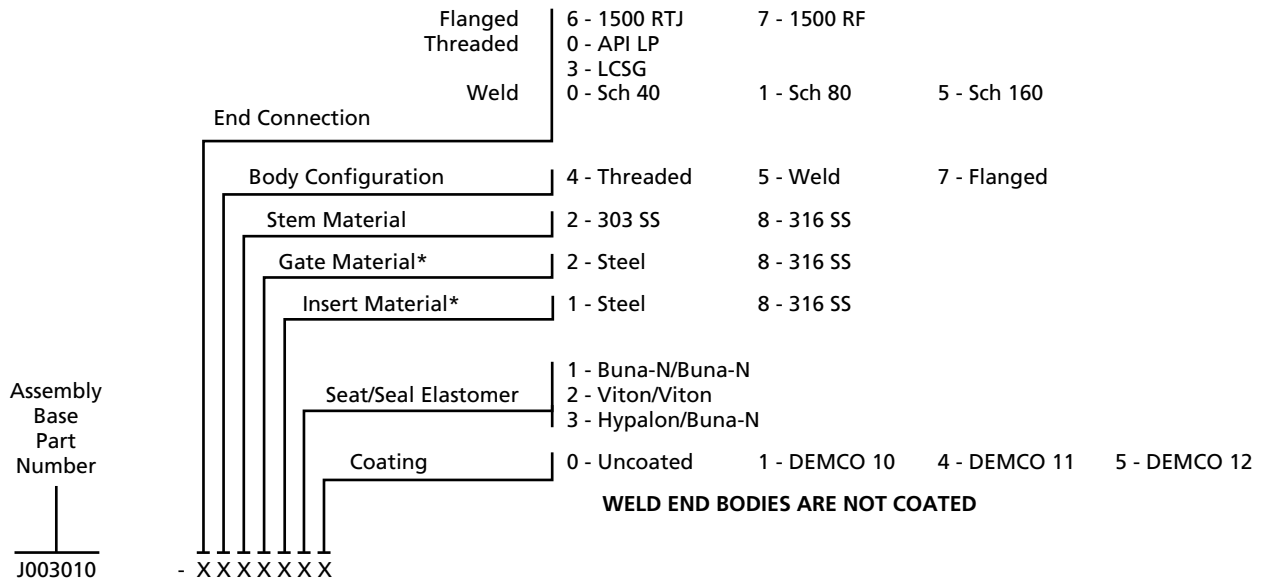
**SERIES DM GATE VALVES ASME CLASS 1500**  
**4 in. (100) FULL PORT**  
**FOR GENERAL SERVICE CONDITIONS**



**DIMENSIONAL DATA & WEIGHTS**

DIMENSION	VALVE SIZE ASME CLASS	4 in. (100 mm) FP 1500
A	Threaded & Weld	13.00 (330)
	Flanged - RF	21.50 (546)
	Flanged - RTJ	21.62 (449)
	Flange O.D.	12.25 (311)
	Flange Bolts (QTY. - SIZE in.)	8 - 1 1/4
	Ring Number (RTJ)	R-39
<b>WEIGHT lb. (kg)</b>		
	Threaded & Weld	162 (73)
	Flanged	320 (145)

## SERIES DM GATE VALVES ASSEMBLY PART NUMBER



### PARTS LIST

Key No.	Qty.	DESCRIPTION	VALVE SIZE ASME CLASS	4 in. (100 mm) FP 1500
Assembly Base Part Number				J003010
1	1	Handle Assembly	Ductile Iron ASTM A536 Grade 65-45-12	2139714-01
3	1	Lube Fitting	Steel	J005195
*5	1	Stem Seal Assembly	Buna-N Viton	J001951-001 J001951-006
6	1	Stem	303 SS -002, 316 SS -008	J001933-XXX
7	1	Bonnet	ASTM A487 Grade 4 Class A or Class B Coatings	J001977-XXX Uncoated -030, Coated DEMCO 10 -031, DEMCO 11 -034, DEMCO 12 -035
8	4	Body Stud	ASTM A193 Grade B7	**J0024500
9	4	Body Stud Nut	ASTM A194 Grade 2H	**2709000-12-01
*10	1	Bonnet Seal	Buna-N Viton	J005526-439 J005531-439
11	1	Body Materials: ASTM A487 Grade 4 Class A or Grade 2 Class B		Consult Factory For Body Part Numbers
*12	1	Seat	Materials	J002207-0XX Inserts: - 02X Steel AISI 1040 -08X 316 SS ASTM A351 Grade CF8M Annealed Elastomers: -0X1 Buna-N, -0X2 Viton, -0X3 Hypalon
*13	1	Gate	Materials	J001926-XXX -002 AISI 4140 Nickel Plated -008 ASTM A351 Grade CF8M
14	1	Screw Seal	Buna-N	J005526-227
16	1	Lock Handle	AISI C1213	J001897
18	1	Stem Screw	AISI C1213	J001915
19	1	Screw Housing	AISI 1029	J001958
*20	1	Secondary Seal	Buna-N	J005526-214
21	1	Retainer	AISI C1213	J001942
22	1	Pin, Lock Handle	Steel	J005420-18732
23	2	Bonnet Stud	ASTM A193 Grade B7	J002072
24	2	Body Stud Nut	ASTM A194 Grade 2H	2709000-09-01

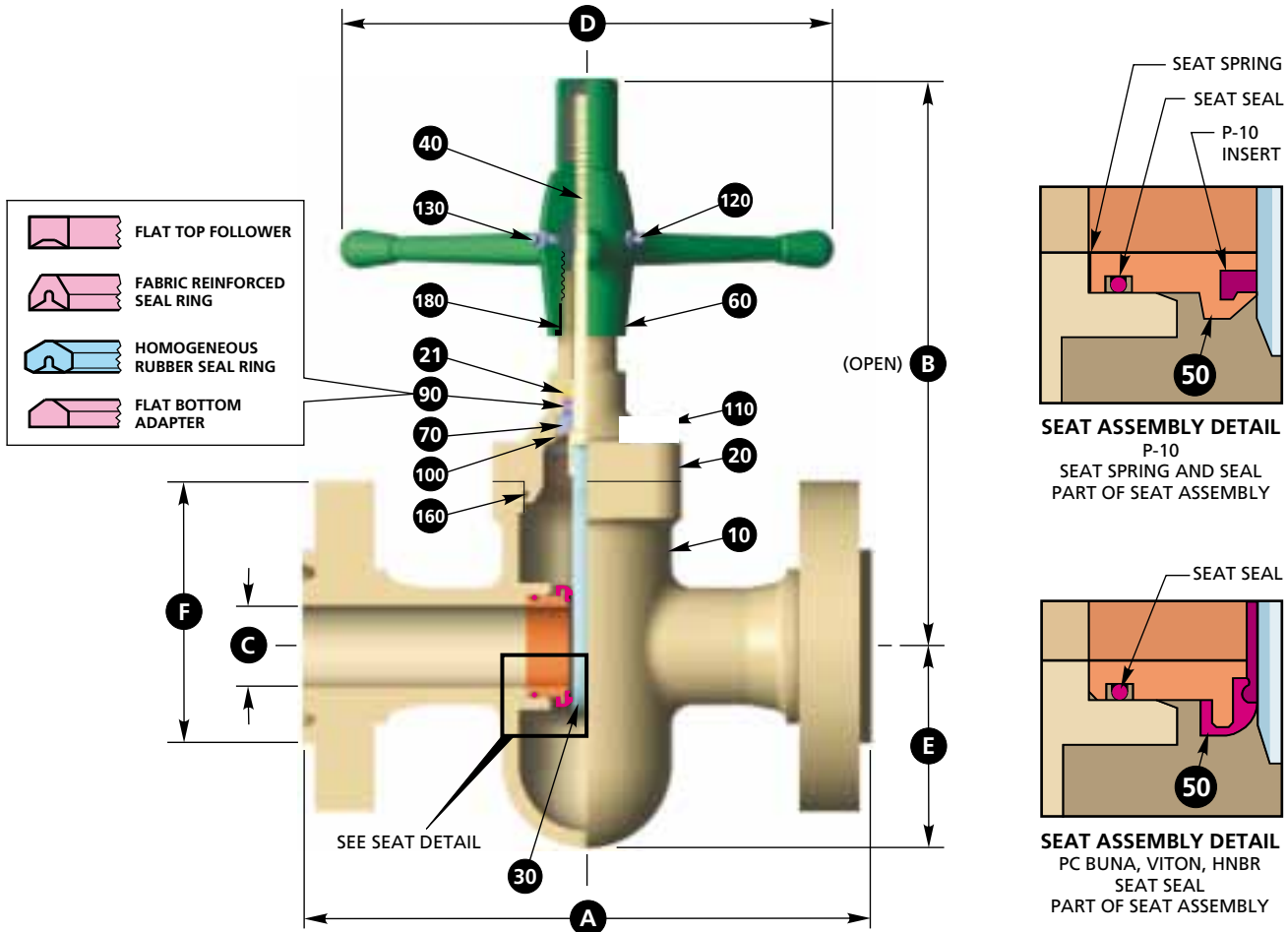
\* Recommended Spare Parts - One Each For One Year's Service.

\*\* Valves made prior to 1994 may use 7 Pitch Stud J002075 and Nut J053251-042.

# SERIES DT GATE VALVES ASME CLASS 600, 900 & 1500

## 2 in. (50 mm) FULL PORT

### FOR GENERAL SERVICE CONDITIONS



### DIMENSIONAL DATA & WEIGHTS

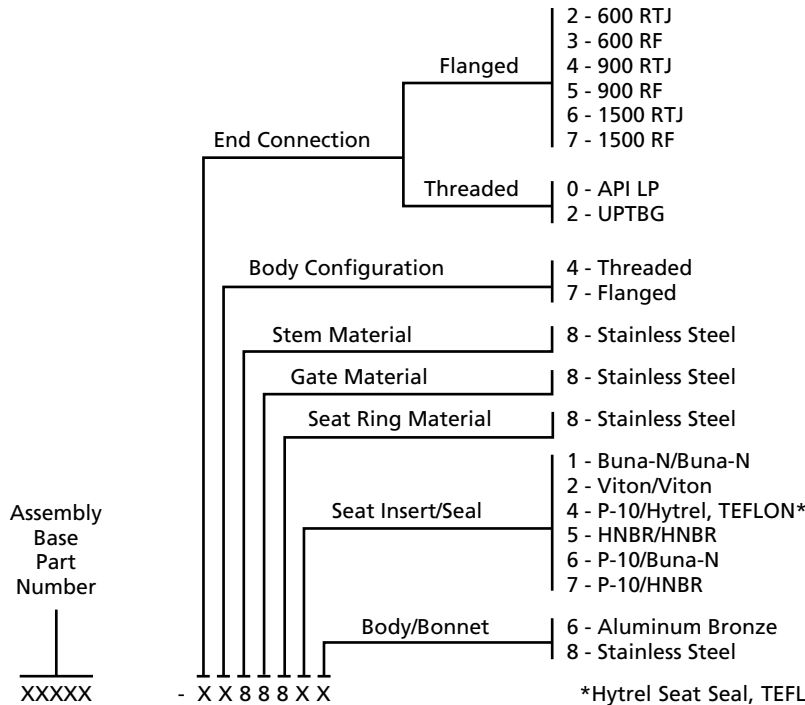
DIMENSION	VALVE SIZE ASME CLASS	2 in. (50 mm) FP		
		600	900	1500
A	Threaded	-	8.50 (216)	8.50 (216)
	Flanged - RF	11.50 (292)	14.50 (368)	14.50 (368)
	Flanged - RTJ	11.62 (295)	14.62 (371)	14.62 (371)
B	(Open)	14.63 (372)	14.63 (372)	14.63 (372)
C	(Seat Bore)	2.06 (52)	2.06 (52)	2.06 (52)
D		14.50 (368)	14.50 (368)	14.50 (368)
E		5.00 (127)	5.25 (133)	5.25 (133)
F	Flange OD	6.50 (165)	8.50 (216)	8.50 (216)
	Flange Bolts (QTY. - SIZE in.)	8 - 5/8	8 - 7/8	8 - 7/8
	Ring Number (RTJ)	R-23	R-24	R-24
WEIGHT lb. (kg)	Threaded	-	44 (20)	44 (20)
	Flanged	48 (22)	82 (37)	82 (37)

### WORKING PRESSURE (psi)

END CONNECTION	Material	ASME CLASS	600	900	1500
Threaded	Bronze		-	2220	3705
	Stainless Steel		-	2220	3705
Flanged	Bronze		1480	2220	3705
	Stainless Steel		1440	2160	3600



## SERIES DT GATE VALVES ASSEMBLY PART NUMBER

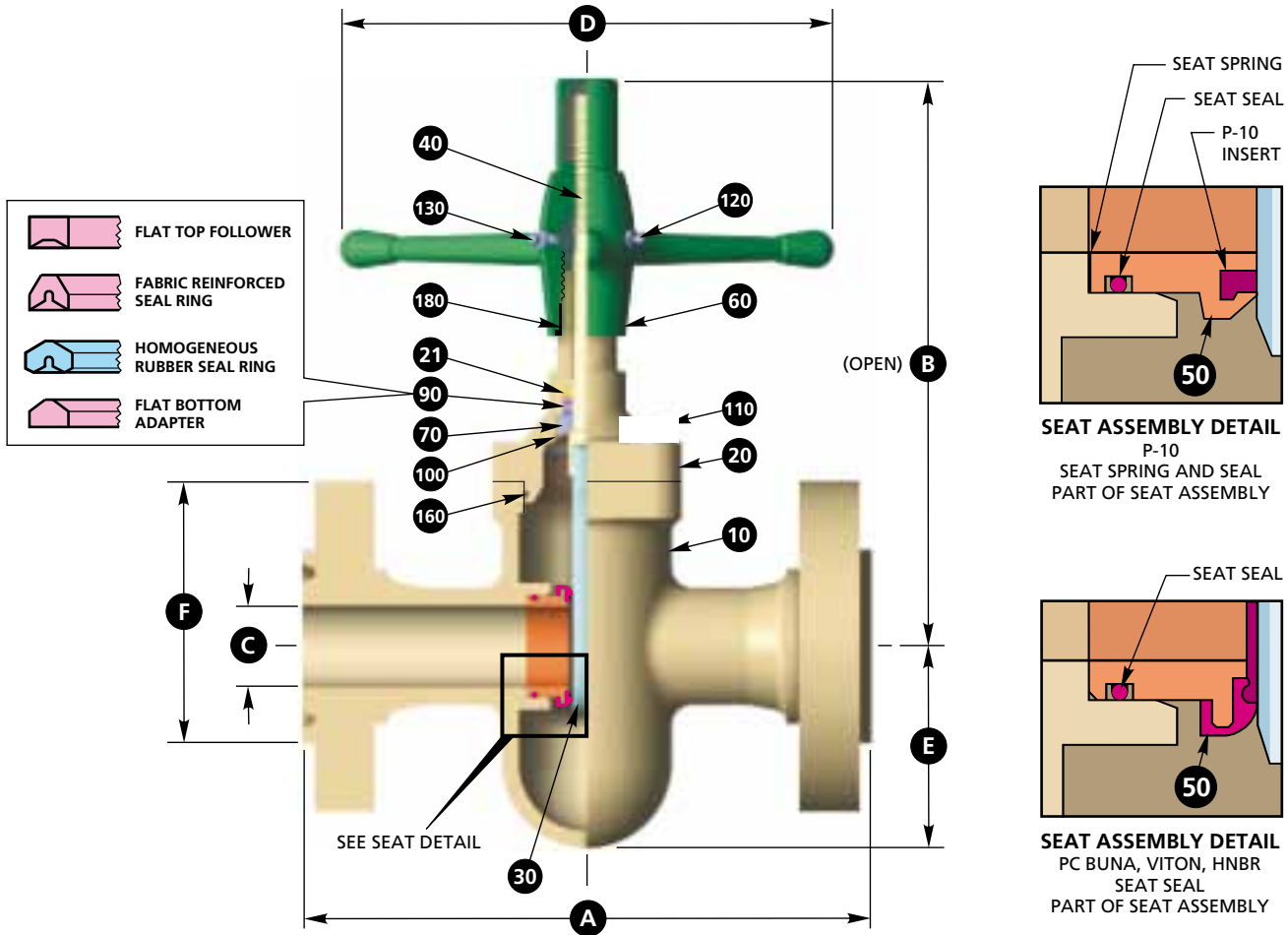


### PARTS LIST

Key No.	Qty.	DESCRIPTION	VALVE SIZE ASME CLASS	2 in. (50 mm) FP			MATERIAL SPECIFICATION (SEE NOTE 1.)
				600	900	1500	
		Assembly Base Part Number		J024726	J024727	J024753	
10	1	Body		Consult Factory For Body Part Numbers			Aluminum Bronze ASTM B148 Alloy 955 Stainless Steel CF8M
20	1	Bonnet		2060241-01 2060241-02	— J024323-060 — — J024660-080 —		Aluminum Bronze ASTM B148 Alloy 955 Stainless Steel CF8M
21	1	Stem Bushing (f/SS Bonnet)		-	— J024661-060 —		Bronze ASTM B505 Alloy 93200
30	1	Gate (See Note 2.)	1, 2, 5 4, 6, 7		J024558-008 J024559-008		Stainless Steel CF8M
40	1	Stem			J024089-008		316 SS
50	2	Seat Assembly (See Note 2.)	1 2 5 6 7 4		2061588-01 2061589-01 2227057-01 2061590-01 2227058-01 2061587-01		Ring: CF8M; Elastomer: Buna-N Peroxide Cured, 90 Duro Ring: CF8M; Elastomer: Viton, 75 Duro Ring: CF8M; Elastomer: HNBR, Peroxide Cured, 80 Duro Ring: CF8M; Insert: PEEK; Seal: Buna-N Peroxide Cured, 90 Duro; Spring: Inconel X-750 Ring: CF8M; Insert: PEEK; Seal: HNBR, 90 Duro Spring: Inconel X-750 Ring: CF8M; Insert PEEK; Seal: Hytrel/Elgiloy; Spring: Inconel X-750
60	1	Handle			2139937-01		Ductile Iron ASTM A536 Grade 65-45-12
70	1	Stem Packing Retainer			J024324-008		316 SS
90	1	Stem Seal Assembly (See Note 2.)	1, 6 2 5, 7 4		J024757-117 J024757-116 J024757-119 J024882-601		Buna-N, Peroxide Cured, 90 Duro Viton, 90 Duro HNBR, 90 Duro TEFLON/Elgiloy
100	1	Retainer Snap Ring			J090066-162		PH 15-7 Mo
110	4	Cap Screw		J056731-32024	— J056731-34032 —		Alloy Steel
120	1	Lube Fitting			J005195		Steel
130	1	Relief Fitting			J005197		Steel
160	1	Bonnet Seal (See Note 2.)	1, 6 2 5, 7 4		J005520-234 J005521-234 2712425-37 J0055411-23411		Buna-N, Peroxide Cured, 90 Duro Viton, 90 Duro HNBR, 90 Duro TEFLON/Elgiloy
180	1	Handle Seal			J005526-219		Buna-N

Notes: 1. CF8M is ASTM A351 Grade CF8M Annealed. 316 SS is AISI Type 316 SS Annealed.  
 2. These Parts are Keyed to the Assembly Part Number "Seat Insert/Seal" Code Numbers Indicated.

## SERIES DT GATE VALVES ASME CLASS 600, 900 & 1500 2 1/2 in. (65 mm) FULL PORT FOR GENERAL SERVICE CONDITIONS



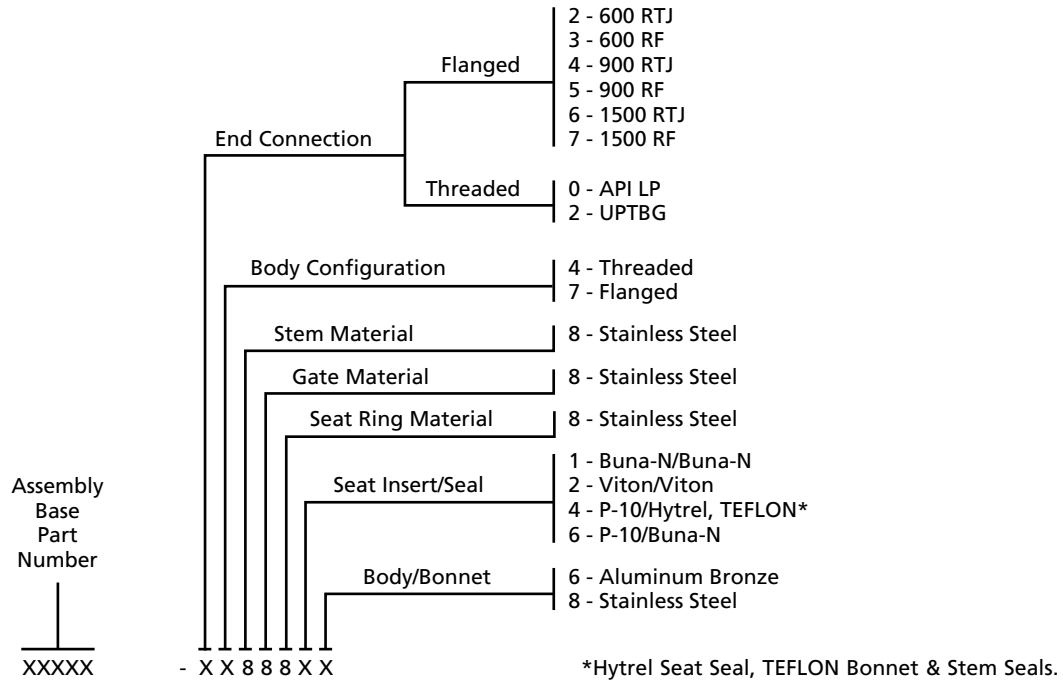
### DIMENSIONAL DATA & WEIGHTS

DIMENSION	VALVE SIZE ASME CLASS	2 1/2 in. (65 mm) FP		
		600	900	1500
A	Threaded	-	8.75 (222)	8.75 (222)
	Flanged - RF	13.00 (330)	16.50 (419)	16.50 (419)
	Flanged - RTJ	13.12 (333)	16.62 (422)	16.62 (422)
B	(Open)	16.71 (424)	16.71 (424)	16.71 (424)
C	(Seat Bore)	2.56 (65)	2.56 (65)	2.56 (65)
D		14.75 (375)	14.75 (375)	14.75 (375)
E		6.12 (155)	6.38 (162)	6.38 (162)
F	Flange OD	7.50 (191)	9.62 (244)	9.62 (244)
	Flange Bolts (QTY. - SIZE in.)	8 - 3/4	8 - 1	8 - 1
	Ring Number (RTJ)	R-26	R-27	R-27
WEIGHT lb. (kg)				
	Threaded	-	57 (26)	57 (26)
	Flanged	77 (35)	110 (50)	110 (50)

### WORKING PRESSURE (psi)

END CONNECTION	Material	ASME CLASS	600	900	1500
Threaded	Bronze	-	-	2220	3705
	Stainless Steel	-	-	2220	3705
Flanged	Bronze	-	1480	2220	3705
	Stainless Steel	-	1440	2160	3600

## SERIES DT GATE VALVES ASSEMBLY PART NUMBER



### PARTS LIST

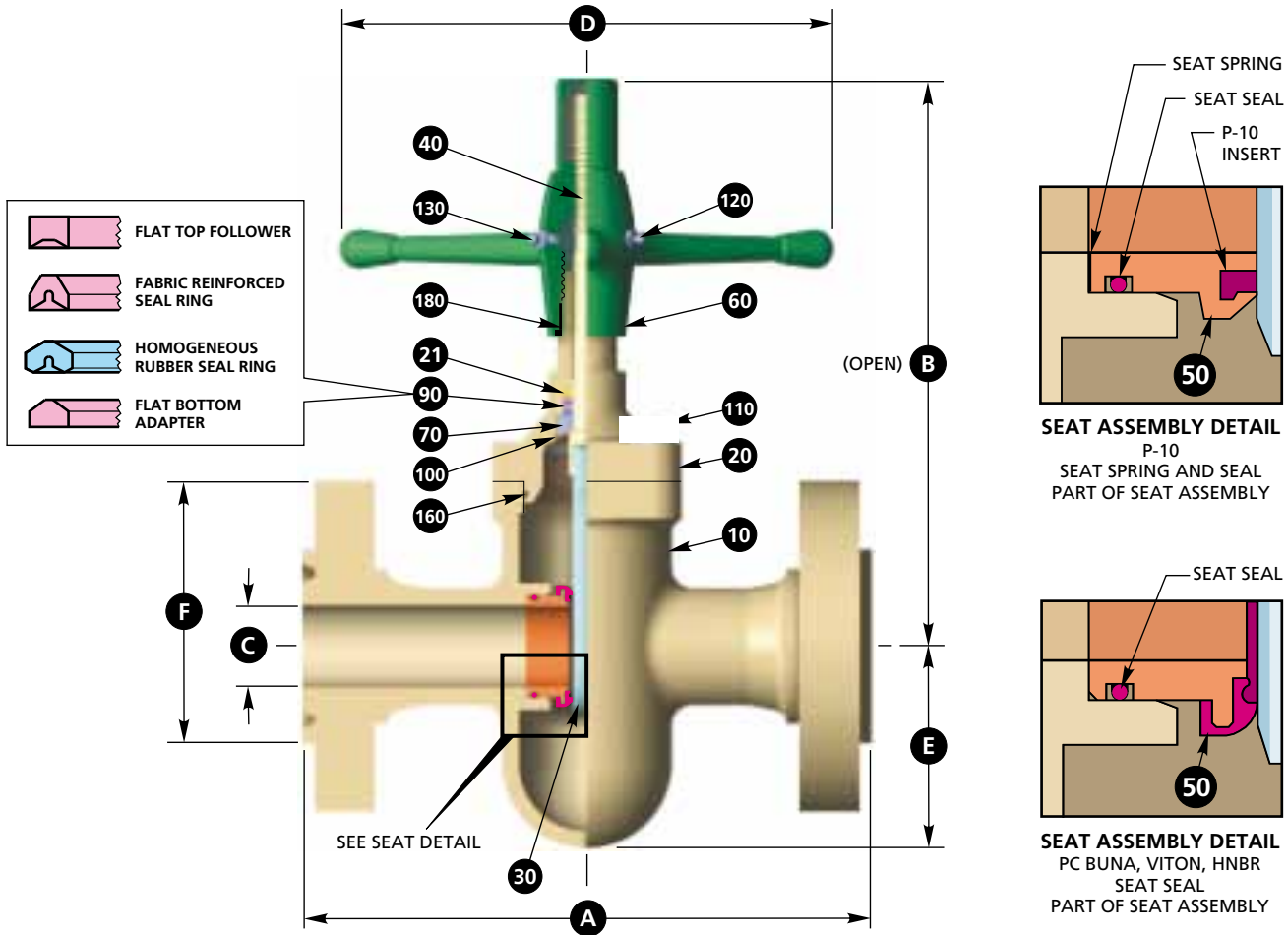
Key		VALVE SIZE	2 1/2 in. (65 mm) FP			MATERIAL SPECIFICATION (SEE NOTE 1.)	
No.	Qty.	DESCRIPTION	ASME CLASS	600	900		1500
Assembly Base Part Number				J024728	J024729	J024754	Aluminum Bronze
				J024728	J025062	J025063	Stainless Steel
10	1	Body		Consult Factory For Body Part Numbers			Aluminum Bronze ASTM B148 Alloy 955 Stainless Steel CF8M
20	1	Bonnet		J024608-060	J024583-060	J024609-080	Aluminum Bronze ASTM B148 Alloy 955 Stainless Steel CF8M
21	1	Stem Bushing (f/SS Bonnet)			J024677-080	J024676-060	Bronze ASTM B150 Alloy C63000
30	1	Gate (See Note 2.)	1, 2 4, 6		2060265-01	2060266-01	Stainless Steel CF8M
40	1	Stem f/Aluminum Bronze Valve f/Stainless Steel Valve		2060256-02	2060256-02	2061921-01	316 SS
50	2	Seat Assembly (See Note 2.)	1 2 6 4		2061588-02 2061589-02 2061590-02 2061587-02		Ring: CF8M; Elastomer: Buna-N Peroxide Cured, 90 Duro Ring: CF8M; Elastomer: Viton, 75 Duro Ring: CF8M; Insert: PEEK; Seal: Buna-N Peroxide Cured, 90 Duro; Spring: Inconel X-750 Ring: CF8M; Insert PEEK; Seal: Hytrel/Elgiloy; Spring: Inconel X-750
60	1	Handle			2139930-01		Ductile Iron ASTM A536 Grade 65-45-12
70	1	Stem Packing Retainer			2060259-08		316 SS
90	1	Stem Seal Assembly (See Note 2.)	1, 6 2 4		J024757-217 J024757-216 J024882-603		Buna-N, Peroxide Cured, 90 Duro Viton, 90 Duro TEFLON/Elgiloy
100	1	Retainer Snap Ring			J090066-162		PH 15-7 Mo
110	4	Cap Screw		J056731-32028	J056731-36036		Alloy Steel
120	1	Lube Fitting			J005195		Steel
130	1	Relief Fitting			J005197		Steel
160	1	Bonnet Seal (See Note 2.)	1, 6 2 4		J005520-239 J005521-239 J0055411-23911		Buna-N, Peroxide Cured, 90 Duro Viton, 90 Duro TEFLON/Elgiloy
180	1	Handle Seal			J005526-221		Buna-N

Notes: 1. CF8M is ASTM A351 Grade CF8M Annealed. 316 SS is AISI Type 316 SS Annealed.  
 2. These Parts are Keyed to the Assembly Part Number "Seat Insert/Seal" Code Numbers Indicated.

# SERIES DT GATE VALVES ASME CLASS 600, 900 & 1500

## 3 in. (80 mm) FULL PORT

### FOR GENERAL SERVICE CONDITIONS



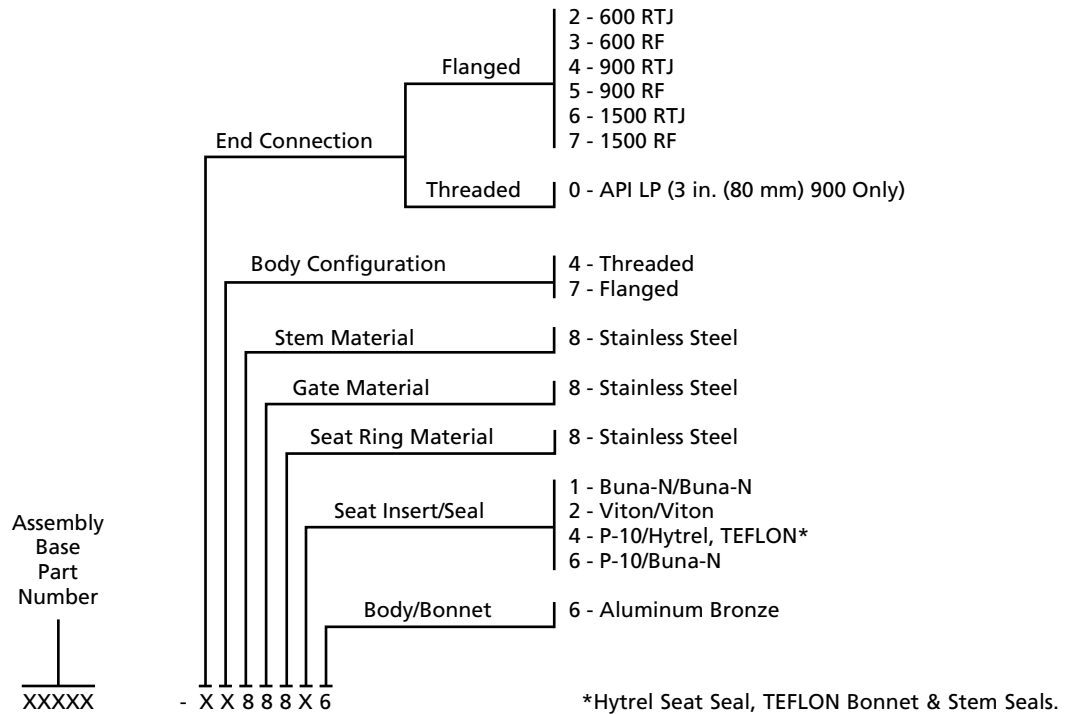
### DIMENSIONAL DATA & WEIGHTS

DIMENSION	VALVE SIZE ASME CLASS	3 in. (80 mm) FP		
		600	900	1500
A	Threaded	-	9.69 (246)	-
	Flanged - RF	14.00 (356)	15.00 (381)	18.50 (470)
	Flanged - RTJ	14.12 (359)	15.12 (384)	18.62 (373)
B	(Open)	18.00 (457)	18.00 (457)	18.82 (478)
C	(Seat Bore)	3.12 (79)	3.12 (79)	3.12 (79)
D		14.75 (375)	14.75 (375)	18.00 (457)
E		6.81 (173)	6.94 (176)	7.15 (182)
F	Flange OD	8.25 (210)	9.50 (241)	10.50 (257)
	Flange Bolts (QTY. - SIZE in.)	8 - 3/4	8 - 7/8	8 - 1 1/8
	Ring Number (RTJ)	R-31	R-31	R-35
WEIGHT lb. (kg)				
	Threaded	-	75 (34)	-
	Flanged	100 (45)	125 (37)	185 (84)

### WORKING PRESSURE (psi)

END CONNECTION	Material	ASME CLASS	600	900	1500
Threaded	Bronze	-	-	2220	3705
	Stainless Steel	-	-	2220	3705
Flanged	Bronze	-	1480	2220	3705
	Stainless Steel	-	1440	2160	3600

## SERIES DT GATE VALVES ASSEMBLY PART NUMBER



### PARTS LIST

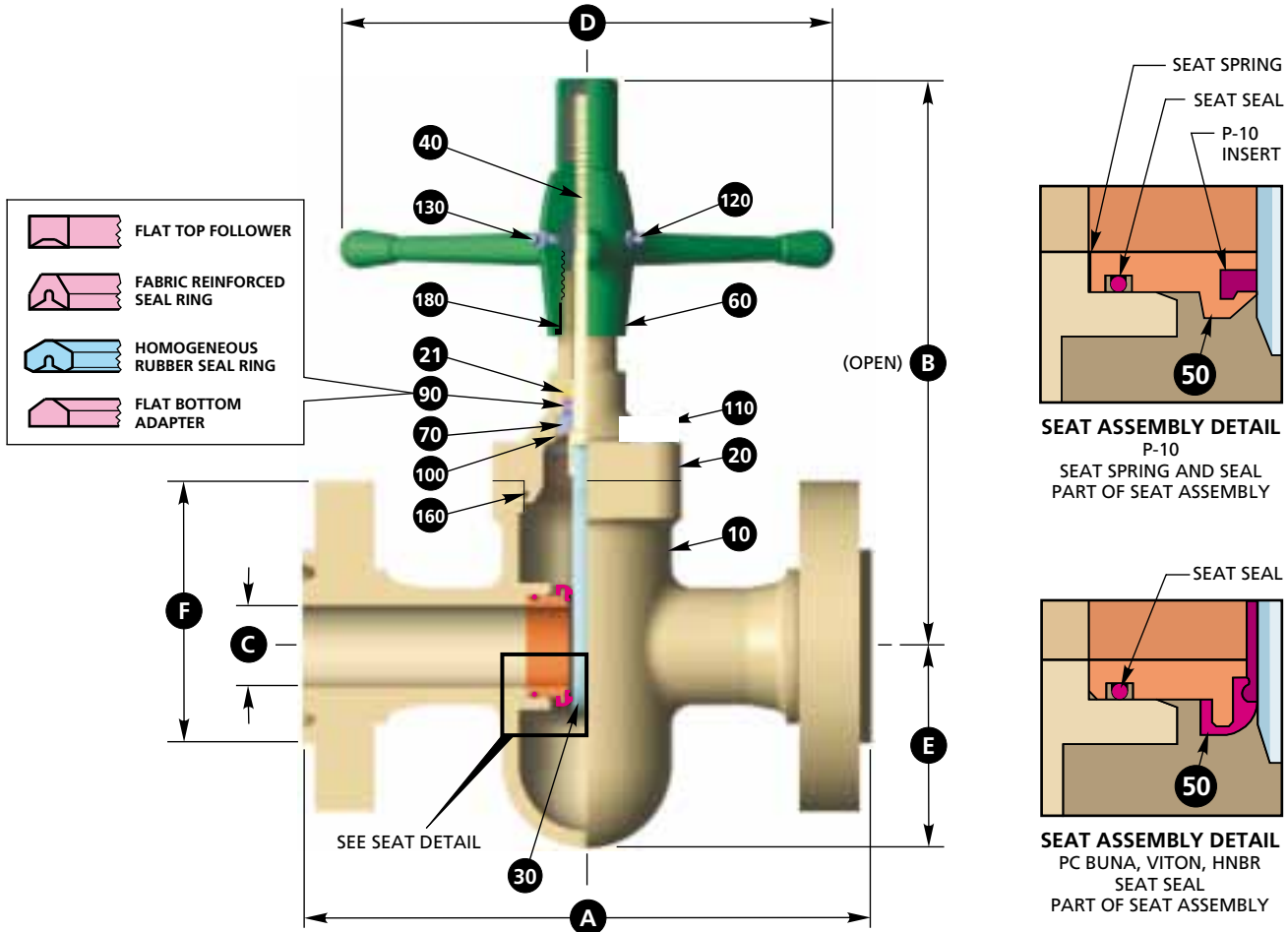
Key No.	Qty.	DESCRIPTION	VALVE SIZE			MATERIAL SPECIFICATION (SEE NOTE 1.)
			ASME CLASS	600	900	
Assembly Base Part Number			J024730	J024731	J024732	
10	1	Body	Consult Factory For Body Part Numbers			Aluminum Bronze ASTM B148 Alloy 955
20	1	Bonnet	— J024624-006 —		J024642-006	Aluminum Bronze ASTM B148 Alloy 955
30	1	Gate (See Note 2.)	1, 2 4, 6	J024621-008 J024623-008		Stainless Steel CF8M
40	1	Stem		J024620-008		316 SS
50	2	Seat Assembly (See Note 2.)	1 2 6 4	2061588-03 2061589-03 2061590-03 2061587-03		Ring: CF8M; Elastomer: Buna-N Peroxide Cured, 90 Duro Ring: CF8M; Elastomer: Viton, 75 Duro Ring: CF8M; Insert PEEK; Seal: Buna-N Peroxide Cured, 90 Duro Spring: Inconel X-750 Ring: CF8M; Insert PEEK; Seal: Hytrel/Elgiloy; Spring: Inconel X-750
60	1	Handle	— 2139931-01 —		2139932-01	Ductile Iron ASTM A536 Grade 65-45-12
70	1	Stem Packing Retainer		2060259-08		316 SS
90	1	Stem Seal Assembly (See Note 2.)	1, 6 2 4	J024757-217 J024757-216 J024882-603		Buna-N, Peroxide Cured, 90 Duro Viton, 90 Duro TEFLON/Elgiloy
100	1	Retainer Snap Ring		J090066-162		PH 15-7 Mo
110	4	Cap Screw	— J056731-36036 —		J056731-38044	Alloy Steel
120	1	Lube Fitting		J005195		Steel
130	1	Relief Fitting		J005197		Steel
160	1	Bonnet Seal (See Note 2.)	1, 6 2 4	J005520-244 J005521-244 J0055411-24411		Buna-N, Peroxide Cured, 90 Duro Viton, 90 Duro TEFLON/Elgiloy
180	1	Handle Seal		J005526-221		Buna-N

Notes: 1. CF8M is ASTM A351 Grade CF8M Annealed. 316 SS is AISI Type 316 SS Annealed.  
 2. These Parts are Keyed to the Assembly Part Number "Seat Insert/Seal" Code Numbers Indicated.

# SERIES DT GATE VALVES ASME CLASS 600, 900 & 1500

## 4 in. (100 mm) FULL PORT

### FOR GENERAL SERVICE CONDITIONS



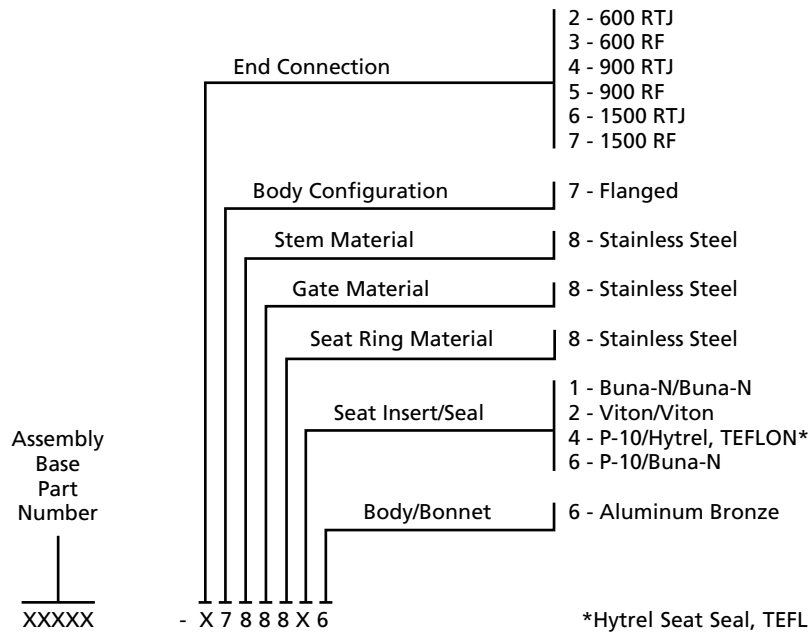
### DIMENSIONAL DATA & WEIGHTS

DIMENSION	VALVE SIZE ASME CLASS	4 in. (100 mm) FP		
		600	900	1500
A	Flanged - RF Flanged - RTJ	17.00 (332) 17.12 (435)	18.00 (457) 18.12 (460)	21.50 (546) 21.62 (549)
B	(Open)	22.25 (565)	22.25 (565)	22.54 (573)
C	(Seat Bore)	4.06 (103)	4.06 (103)	4.06 (103)
D		23.00 (584)	23.00 (584)	23.00 (584)
E		9.00 (229)	9.12 (232)	9.41 (239)
F	Flange OD Flange Bolts (QTY. - SIZE in.) Ring Number (RTJ)	10.75 (273) 8 - 7/8 R-37	11.50 (292) 8 - 1 1/8 R-37	12.25 (311) 8 - 1 1/4 R-39
WEIGHT lb. (kg) Flanged		170 (77)	215 (98)	295 (134)

### WORKING PRESSURE (psi)

END CONNECTION	Material	ASME CLASS	600	900	1500
Flanged	Bronze		1480	2220	3705

## SERIES DT GATE VALVES ASSEMBLY PART NUMBER

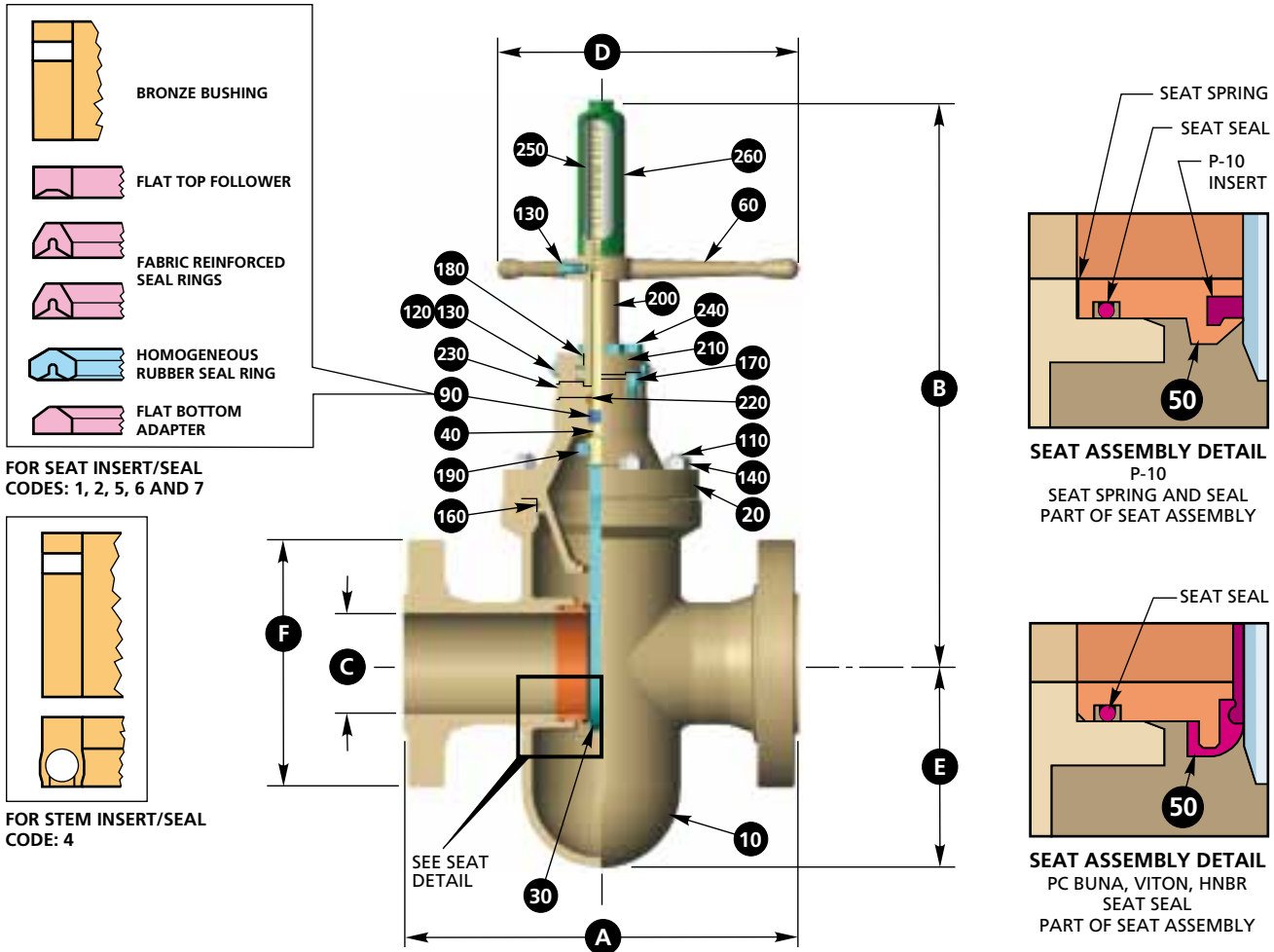


### PARTS LIST

Key No.	Qty.	DESCRIPTION	VALVE SIZE ASME CLASS	4 in. (100 mm) FP			MATERIAL SPECIFICATION (SEE NOTE 1.)
				600	900	1500	
Assembly Base Part Number				J024733	J024734	J024735	
10	1	Body		Consult Factory For Body Part Numbers			Aluminum Bronze ASTM B148 Alloy 955
20	1	Bonnet		J024711-006	J024712-006	J024713-006	Aluminum Bronze ASTM B148 Alloy 955
30	1	Gate (See Note 2.)	1, 2	J024719-008		J024721-008	Stainless Steel CF8M
			4, 6	J024720-008		J024722-008	
40	1	Stem		J024717-008		J024718-008	316 SS - 600 & 900 Only; XM-19 1500 Only
50	2	Seat Assembly (See Note 2.)	1		2061588-04		Ring: CF8M; Elastomer: Buna-N Peroxide Cured, 90 Duro
			2		2061589-04		Ring: CF8M; Elastomer: Viton, 75 Duro
			6		2061590-04		Ring: CF8M; Insert: PEEK; Seal: Buna-N Peroxide Cured, 90 Duro; Spring: Inconel X-750
			4		2061587-04		Ring: CF8M; Insert PEEK; Seal: Hytrel/Elgiloy; Spring: Inconel X-750
60	1	Handle			2139930-01	Ductile Iron ASTM A536 Grade 65-45-12	
70	1	Stem Packing Retainer			J024716-008	316 SS	
90	1	Stem Seal Assembly (See Note 2.)	1, 6		J024757-317		Buna-N, Peroxide Cured, 90 Duro
			2		J024757-316		Viton, 90 Duro
			4		J024882-604		TEFLON/Elgiloy
100	1	Retainer Snap Ring			J090066-175	PH 15-7 Mo	
110	4	Cap Screw	J056512-34032	J056512-36036	J056512-41048	Alloy Steel	
120	1	Lube Fitting			J005195	Steel	
130	1	Relief Fitting			J005197	Steel	
160	1	Bonnet Seal (See Note 2.)	1, 6		J005520-254		Buna-N, Peroxide Cured, 90 Duro
			2		J005521-254		Viton, 90 Duro
			4		J0055411-25411		TEFLON/Elgiloy
180	1	Handle Seal			J005526-223	Buna-N	

Notes: 1. CF8M is ASTM A351 Grade CF8M Annealed. 316 SS is AISI Type 316 SS Annealed. XM-19 is ASTM A479 Type XM-19 Hot Rolled.  
 2. These Parts are Keyed to the Assembly Part Number "Seat Insert/Seal" Code Numbers Indicated.

# SERIES DT GATE VALVES ASME CLASS 900 6 in. (150 mm) FULL PORT FOR GENERAL SERVICE CONDITIONS



## DIMENSIONAL DATA & WEIGHTS

DIMENSION	VALVE SIZE ASME CLASS	6 (150) FP 900
A	Flanged - RF Flanged - RTJ	24.00 (610) 24.12 (613)
B	(Open)	33.85 (860)
C	(Seat Bore)	6.06 (154)
D		24.00 (610)
E		12.38 (314)
F	Flange OD Flange Bolts (QTY. - SIZE in.) Ring Number (RTJ)	15.00 (381) 12 - 1 1/8 R-45

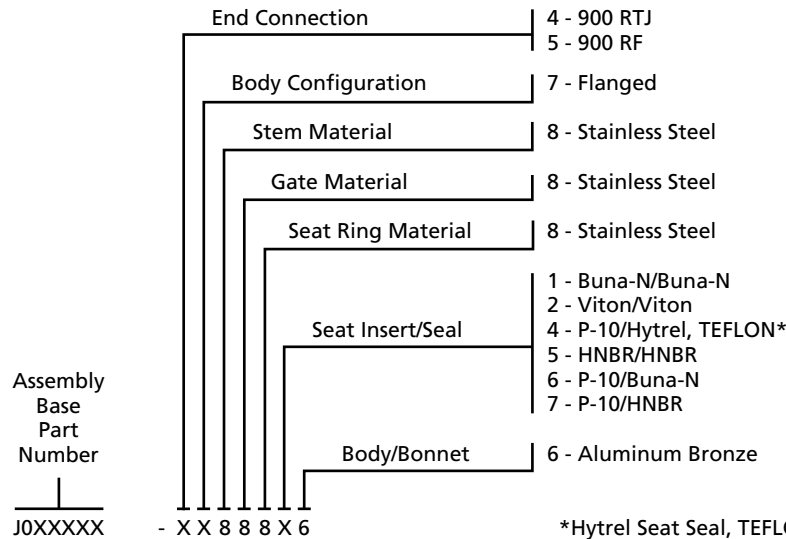
**WEIGHT lb. (kg)**  
 Flanged Consult Factory

## WORKING PRESSURE (psi)

END CONNECTION	Material	ASME CLASS	900
Flanged	Bronze		2220



## SERIES DT GATE VALVES ASSEMBLY PART NUMBER



### PARTS LIST

Key No.	Qty.	DESCRIPTION	VALVE SIZE in. (mm) ASME CLASS	6 (150) FP 900	MATERIAL SPECIFICATION (SEE NOTE 1.)
		Assembly Base Part Number	6 in. 8 x 6 in.	J025141	
10	1	Body	6 in. RF - AL BRZ RTJ - AL BRZ	2227657-00-56 2227657-00-46	Aluminum Bronze ASTM B148 Alloy 955
20	1	Bonnet	AL BRZ	2227661-06	Aluminum Bronze ASTM B148 Alloy 955
30	1	Gate (See Note 2.)	1, 2, 5 4, 6, 7	2227658-08 2227964-08	Stainless Steel CF8M on 900, Duplex UNS S31803 on 1500
40	1	Stem		2227666-08	316 SS on 900; ASTM A479 Grade XM-19 1500
50	2	Seat Assembly (See Note 2.)	1 2 5 6 7 4	2227655-00-81 2269616-01 2227961-00-83	Ring: CF8M; Elastomer: Buna-N Peroxide Cured, 90 Duro Ring: CF8M; Elastomer: Viton, 75 Duro Ring: CF8M; Elastomer: HNBR, Peroxide Cured, 80 Duro Ring: CF8M; Insert: PEEK; Seal: Buna-N Peroxide Cured, 90 Duro; Spring: Inconel X-750 Ring: CF8M; Insert PEEK; Seal: HNBR, 90 Duro Spring: Inconel X-750 Ring: CF8M; Insert PEEK; Seal: Hytrel/Elgiloy Spring: Inconel X-750
60	1	Handle		2227656-01	Ductile Iron ASTM A536 Grade 65-45-12
90	1	Stem Seal Assembly (See Note 2.)	1, 6 2 5, 7 4	J021706-001 J015853-008	Buna-N, Peroxide Cured, 90 Duro Viton, 90 Duro HNBR, 90 Duro TEFLON/Elgiloy
110	8	Stud		2171976-09-02	ASTM A193 Grade B7
120	1	Lube Fitting		J005195	Steel
130	1	Relief Fitting		J051971	Steel
140	8	Nut		2709000-09-01	ASTM A193 Grade 2H
150	1	Screw - Handle		J014832	Steel AISI C1018
160	1	Bonnet Seal (See Note 2.)	1, 6 2 5, 7 4	J005520-367 J005521-367 2738507-15	Buna-N, Peroxide Cured, 90 Duro Viton, 90 Duro HNBR, 90 Duro TEFLON/Elgiloy
170	4	Screw - Retainer		J005665-32028	Alloy Steel
180	1	Stem Screw Seal		J005526-228	Buna-N on 900; Urethane on 1500
190	1	Downstop Ring		J015848	316 SS
200	1	Stem Screw with Bearings		J023888	Stem Screw with Steel AISI C1018 Bearings: Hardened Steel Needle Thrust Bearings
210	1	Housing		J015332	Steel AISI C1018
220	1	Secondary Seal (See Note 2)	1, 6 2 4, 5, 7	J005526-216 J005531-216 2738507-09	Buna-N Viton HNBR
230	1	Retainer		J015330	Steel AISI C1018
240	4	Screw - Housing		J005650-32056	SAE Grade 2 Steel
250	1	Tube		J019160	Clear Acrylic
260	1	Stem cap		J019161	Ductil iron ASTM A536 Grade 65-45-12

Notes: 1. CF8M is ASTM A351 Grade CF8M Annealed. XM-19 is ASTM A479 Type XM-19 Hot Rolled.  
 2. These Parts are Keyed to the Assembly Part Number "Seat Insert/Seal" Code Numbers Indicated.

## TRADEMARK INFORMATION

DEMCO® is a registered trademark which is owned by Cameron.

This document contains references to registered trademarks or product designations, which are not owned by Cameron.

<b>Trademark</b>	<b>Owner</b>
CELCON	Hoechst Celanese Corporation
DELRIN	E.I. DuPont De Nemours & Company
FLUOREL	Minnesota Mining and Manufacturing Company
HASTELLOY	Haynes International, Inc.
HYCAR	Hydrocarbon Chemical and Rubber Company
HYDRIN	Zeon Chemicals USA, Inc.
HYPALON	E.I. DuPont De Nemours & Company
INCONEL	INCO Nickel Sales, Inc.
MONEL	INCO Alloys International, Inc.
NORDEL	E.I. DuPont De Nemours & Company
STELLITE	Stoody Deloro Stellite, Inc.
TEFLON	E.I. DuPont De Nemours & Company
VITON	E.I. DuPont De Nemours & Company





Norse Limited  
Broadfold Road, Bridge of Don,  
Aberdeen AB23 8EE, Scotland UK

Tel: 01224 828300 Fax: 01224 828383  
email: [sales@norse.co.uk](mailto:sales@norse.co.uk)

[www.norse.co.uk](http://www.norse.co.uk)

**VALVES & MEASUREMENT**

3250 Briarpark Drive, Suite 300  
Houston, Texas 77042  
USA Toll Free 800 323 9160

For the most current contact and location information go to: [www.c-a-m.com/valvesandmeasurement](http://www.c-a-m.com/valvesandmeasurement)